

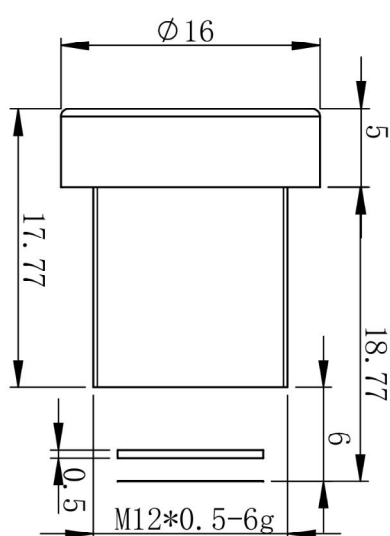
# M2056M12FT-IP67

f20mm 2/3" M12 Full Thread

Focal length	20.03mm		Working Distance	Magnification	2/3" FOV (mm)		
F number(WD=∞)	5.6						
Image Size	1/1.8" (7.2*5.4)	2/3" (8.45*7.07)	mm		H	V	
FOV (WD=400mm)	H	19.3°	22.6°	2000	0.010	837	700
	V	14.5°	18.9°	1000	0.020	414	347
	D	24.0°	29.2°	900	0.023	372	311
Distortion(OPT)	0.10%		800	0.026	330	276	
Working Distance Range	100mm - ∞		700	0.029	287	240	
Best Working Distance	400mm		600	0.034	246	206	
TTL(Far-Near)	22.73-27.54mm		500	0.042	204	170	
BFL(WD=400mm)	6mm		400	0.052	161	135	
Resolution	6MP		300	0.071	119	100	
Relative Illumination	90%		250	0.086	98	82	
Mount	M12x0.5g		200	0.110	77	64	
Thread type	Full thread		150	0.151	56	47	
IP Rating	IP67		100	0.243	35	29	
Temperature Range	-30~ +70°C						

Dimension :

Unit: mm



(WD = 400mm)

2026.2

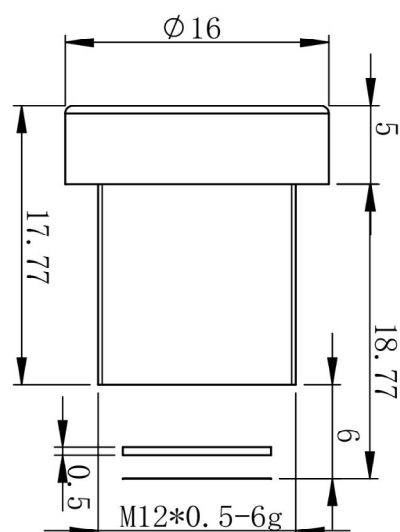
# M2056M12FT-VIS-IP67

f20mm 2/3" M12 Full Thread

Focal length		20.03mm		Working Distance	Magnification	2/3" FOV (mm)	
F number(WD=∞)		5.6					
Image Size		1/1.8" (7.2*5.4)	2/3" (8.45*7.07)	mm		H	V
FOV (WD=400mm)	H	19.3°	22.6°	2000	0.010	837	700
	V	14.5°	18.9°	1000	0.020	414	347
	D	24.0°	29.2°	900	0.023	372	311
Distortion(OPT)		0.10%		800	0.026	330	276
Working Distance Range		100mm - ∞		700	0.029	287	240
Best Working Distance		400mm		600	0.034	246	206
TTL(Far-Near)		22.93-27.74mm		500	0.042	204	170
BFL(WD=400mm)		6.2mm		400	0.052	161	135
Resolution		6MP		300	0.071	119	100
Relative Illumination		90%		250	0.086	98	82
Mount		M12x0.5g		200	0.110	77	64
Thread type		Full thread		150	0.151	56	47
Filter		IR CUT Filter		100	0.243	35	29
IP Rating		IP67					
Temperature Range		-30~ +70°C					

Dimension :

Unit: mm



(WD = 400mm)

2026.2

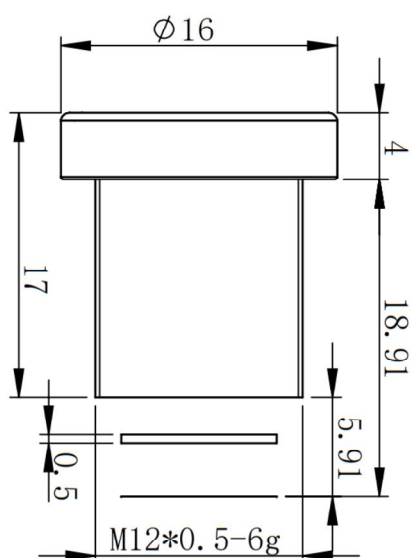
# H1456M12FT-IP67

f14mm 1/1.8" M12 Full Thread

Focal length	14mm		Working Distance	Magnification	1/1.8" FOV (mm)		
F number(WD=∞)	5.6						
Image Size	1/1.8" (7.2*5.4)	1/3" (4.8*3.6)	mm		H	V	
FOV (WD=300mm)	H	28.9°	19.5°	2000	0.007	1025	769
	V	21.9°	14.7°	1000	0.014	511	383
	D	35.7°	24.2°	900	0.016	459	344
Distortion(OPT)	-0.03%		800	0.018	408	306	
Working Distance Range	100mm - ∞		700	0.020	356	267	
Best Working Distance	300mm		600	0.024	305	229	
TTL(Far-Near)	22.24-24.36mm		500	0.028	254	190	
BFL(WD=300mm)	5.91mm		400	0.036	202	152	
Resolution	6MP		300	0.048	151	113	
Relative Illumination	83%		250	0.058	125	94	
Mount	M12x0.5g		200	0.073	99	74	
Thread type	Full thread		150	0.098	74	55	
IP Rating	IP67		100	0.150	48	36	
Temperature Range	-30~ +70℃						

Dimension :

Unit: mm



(WD = 300mm)

2026.2

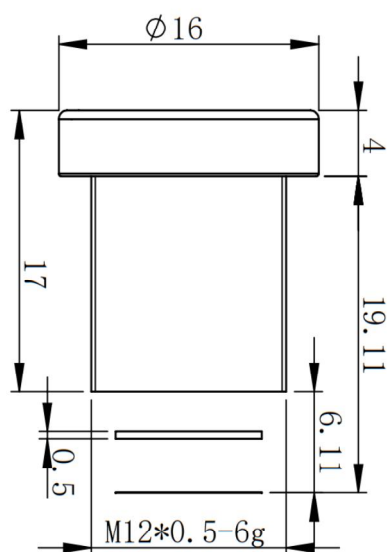
# H1456M12FT-VIS-IP67

f14mm 1/1.8" M12 Full Thread

Focal length	14mm		Working Distance	Magnification	1/1.8" FOV (mm)		
F number(WD=∞)	5.6						
Image Size	1/1.8" (7.2*5.4)	1/3" (4.8*3.6)	mm		H	V	
FOV (WD=300mm)	H	28.9°	19.5°	2000	0.007	1025	769
	V	21.9°	14.7°	1000	0.014	511	383
	D	35.7°	24.2°	900	0.016	459	344
Distortion(OPT)	-0.03%		800	0.018	408	306	
Working Distance Range	100mm - ∞		700	0.020	356	267	
Best Working Distance	300mm		600	0.024	305	229	
TTL(Far-Near)	22.44-24.55mm		500	0.028	254	190	
BFL(WD=300mm)	6.11mm		400	0.036	202	152	
Resolution	6MP		300	0.048	151	113	
Relative Illumination	83%		250	0.058	125	94	
Mount	M12x0.5g		200	0.073	99	74	
Thread type	Full thread		150	0.098	74	55	
Filter	IR CUT Filter		100	0.150	48	36	
IP Rating	IP67						
Temperature Range	-30~ +70°C						

Dimension :

Unit: mm



(WD = 300mm)

2026.2

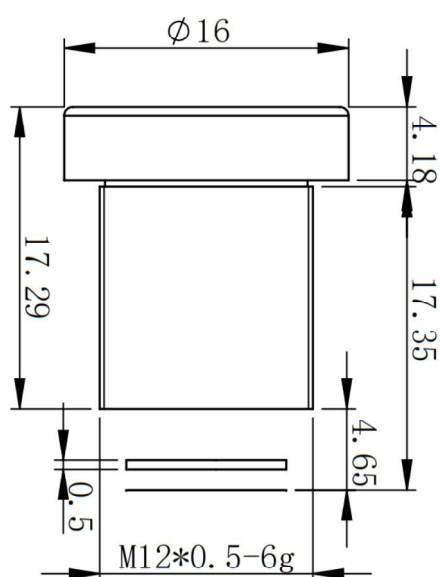
# H1056M12FT-IP67

f10mm 1/1.8" M12 Full Thread

Focal length	10mm		Working Distance	Magnification	1/1.8" FOV (mm)		
F number(WD=∞)	5.6						
Image Size	1/1.8" (7.2*5.4)	1/3" (4.8*3.6)	mm		H	V	
FOV (WD=250mm)	H	39.7°	27.1°	2000	0.005	1440	1080
	V	30.4°	20.5°	1000	0.010	720	540
	D	48.6°	33.5°	900	0.011	648	486
Distortion(WD 250mm)	-0.50%		800	0.013	576	432	
Working Distance Range	100mm - ∞		700	0.014	504	378	
Best Working Distance	250mm		600	0.017	432	324	
TTL(Far-Near)	21.53-22.56mm		500	0.020	360	270	
BFL(WD=250mm)	4.65mm		400	0.025	288	216	
Resolution	6MP		300	0.033	216	162	
Relative Illumination	72%		250	0.040	180	135	
Mount	M12x0.5-6g		200	0.050	144	108	
Thread type	Full thread		150	0.067	108	81	
IP Rating	IP67		100	0.100	72	54	
Temperature Range	-30~ +70°C						

Dimension :

Unit: mm



(WD = 250mm)

2026.2

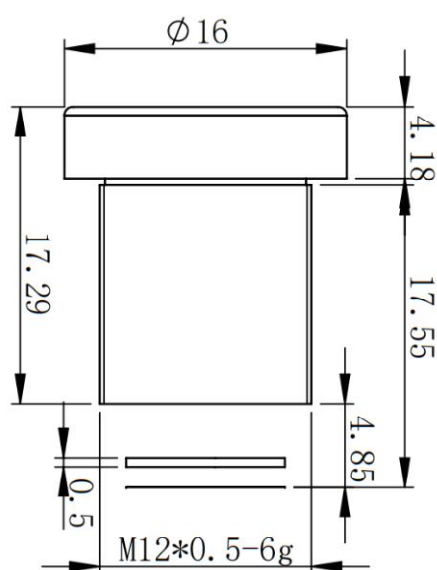
# H1056M12FT-VIS-IP67

f10mm 1/1.8" M12 Full Thread

Focal length	10mm		Working Distance	Magnification	1/1.8" FOV (mm)		
F number(WD=∞)	5.6						
Image Size	1/1.8" (7.2*5.4)	1/3" (4.8*3.6)	mm		H	V	
FOV (WD=250mm)	H	39.7°	27.1°	2000	0.005	1440	1080
	V	30.4°	20.5°	1000	0.010	720	540
	D	48.6°	33.5°	900	0.011	648	486
Distortion(WD 250mm)	-0.50%		800	0.013	576	432	
Working Distance Range	100mm - ∞		700	0.014	504	378	
Best Working Distance	250mm		600	0.017	432	324	
TTL(Far-Near)	21.73-22.76mm		500	0.020	360	270	
BFL(WD=250mm)	4.85mm		400	0.025	288	216	
Resolution	6MP		300	0.033	216	162	
Relative Illumination	72%		250	0.040	180	135	
Mount	M12x0.5-6g		200	0.050	144	108	
Thread type	Full thread		150	0.067	108	81	
Filter	IR CUT Filter		100	0.100	72	54	
IP Rating	IP67						
Temperature Range	-30~ +70°C						

Dimension :

Unit: mm



(WD = 250mm)

2026.2

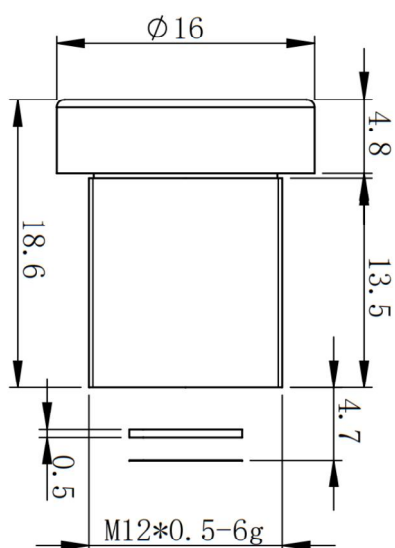
# H0656M12FT-IP67

f06mm 1/2" M12 Full Thread

Focal length	6.1mm		Working Distance	Magnification	1/2" FOV (mm)		
F number(WD=∞)	5.6						
Image Size	1/2" (6.4*4.8)	1/3" (4.8*3.6)	mm		H	V	
FOV (WD=200mm)	H	54.3°	41.9°	2000	0.0030	2102	1577
	V	41.9°	32.0°	1000	0.0061	1054	790
	D	65.3°	51.3°	900	0.0067	949	712
Distortion(OPT)	-1.00%		800	0.0076	844	633	
Working Distance Range	100mm - ∞		700	0.0087	739	554	
Best Working Distance	200mm		600	0.0101	634	476	
TTL(Far-Near)	23.1-23.49mm		500	0.0121	529	397	
BFL(WD=200mm)	4.7mm		400	0.0151	425	318	
Resolution	6MP		300	0.0200	320	240	
Relative Illumination	65%		250	0.0239	267	200	
Mount	M12x0.5g		200	0.0298	215	161	
Thread type	Full thread		150	0.0394	162	122	
IP Rating	IP67		100	0.0582	110	82	
Temperature Range	-30~ +70°C						

Dimension :

Unit: mm



(WD = 200mm)



2026.2

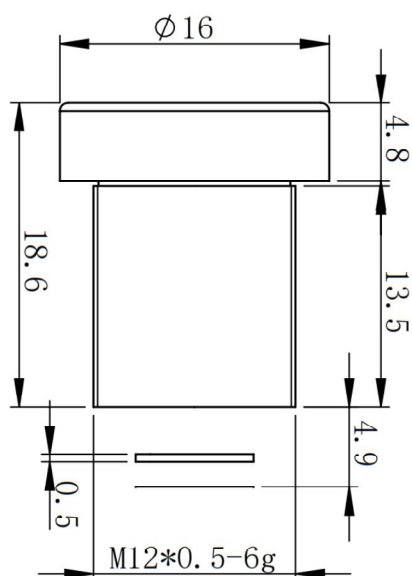
# H0656M12FT-VIS-IP67

f06mm 1/2" M12 Full Thread

Focal length		6.1mm		Working Distance	Magnification	1/2" FOV (mm)	
F number(WD=∞)		5.6					
Image Size		1/2" (6.4*4.8)	1/3" (4.8*3.6)	mm		H	V
FOV (WD=200mm)	H	54.3°	41.9°	2000	0.0030	2102	1577
	V	41.9°	32.0°	1000	0.0061	1054	790
	D	65.3°	51.3°	900	0.0067	949	712
Distortion(OPT)		-1.00%		800	0.0076	844	633
Working Distance Range		100mm - ∞		700	0.0087	739	554
Best Working Distance		200mm		600	0.0101	634	476
TTL(Far-Near)		23.3-23.69mm		500	0.0121	529	397
BFL(WD=200mm)		4.9mm		400	0.0151	425	318
Resolution		6MP		300	0.0200	320	240
Relative Illumination		65%		250	0.0239	267	200
Mount		M12x0.5g		200	0.0298	215	161
Thread type		Full thread		150	0.0394	162	122
Filter		IR CUT Filter		100	0.0582	110	82
IP Rating		IP67					
Temperature Range		-30~ +70°C					

Dimension :

Unit: mm



(WD = 200mm)



2026.2

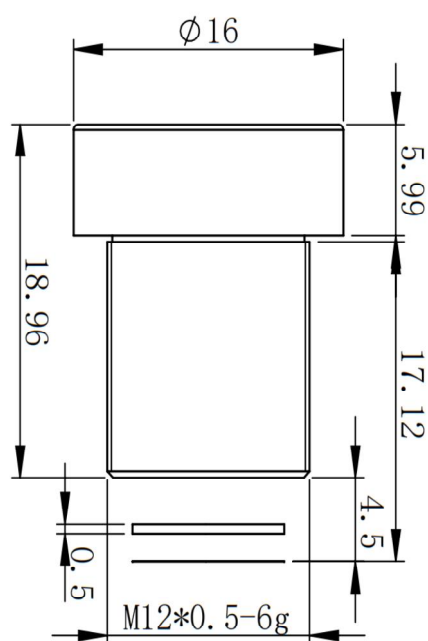
# T04556M12FT-IP67

f4.5mm 1/2.7" M12 Full Thread

Focal length	4.5mm		Working Distance	Magnification	1/2.7" FOV (mm)		
F number(WD=∞)	5.6						
Image Size	1/2.7" (5.2*3.9)	1/3" (4.8*3.6)	mm		H	V	
FOV (WD=200mm)	H	60.0°	55.2°	2000	0.0022	2316	1737
	V	46.9°	42.9°	1000	0.0045	1161	870
	D	71.7°	66.7°	900	0.0050	1045	784
Distortion(OPT)	1.3%		800	0.0056	929	697	
Working Distance Range	100mm - ∞		700	0.0064	814	610	
Best Working Distance	200mm		600	0.0074	698	524	
TTL(Far-Near)	23.36-23.51mm		500	0.0089	583	437	
BFL(WD=200mm)	4.5mm		400	0.0111	467	351	
Resolution	3MP		300	0.0148	352	264	
Relative Illumination	>80%		250	0.0177	294	221	
Mount	M12x0.5-6g		200	0.0220	236	177	
Thread type	Full thread		150	0.0291	179	134	
IP Rating	IP67		100	0.0431	121	91	
Temperature Range	-30~ +70°C						

Dimension :

Unit: mm



(WD = 200mm)



2026.2

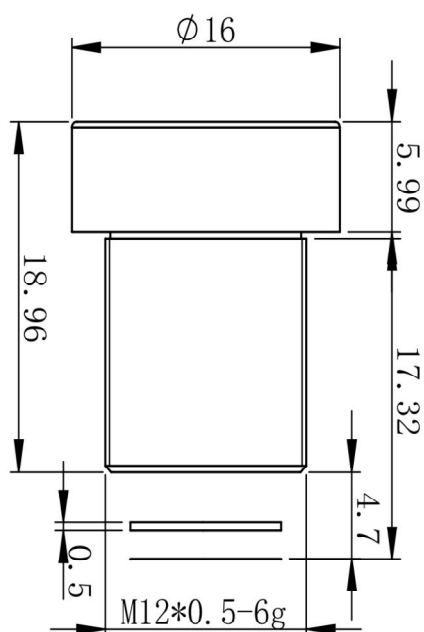
# T04556M12FT-VIS-IP67

f4.5mm 1/2.7" M12 Full Thread

Focal length	4.5mm		Working Distance	Magnification	1/2.7" FOV (mm)		
F number(WD=∞)	5.6						
Image Size	1/2.7" (5.2*3.9)	1/3" (4.8*3.6)	mm		H	V	
FOV (WD=200mm)	H	60.0°	55.2°	2000	0.0022	2316	1737
	V	46.9°	42.9°	1000	0.0045	1161	870
	D	71.7°	66.7°	900	0.0050	1045	784
Distortion(OPT)	1.3%		800	0.0056	929	697	
Working Distance Range	100mm - ∞		700	0.0064	814	610	
Best Working Distance	200mm		600	0.0074	698	524	
TTL(Far-Near)	23.56-23.78mm		500	0.0089	583	437	
BFL(WD=200mm)	4.7mm		400	0.0111	467	351	
Resolution	3MP		300	0.0148	352	264	
Relative Illumination	>80%		250	0.0177	294	221	
Mount	M12x0.5-6g		200	0.0220	236	177	
Thread type	Full thread		150	0.0291	179	134	
Filter	IR CUT Filter		100	0.0431	121	91	
IP Rating	IP67						
Temperature Range	-30~+70°C						

Dimension :

Unit: mm



(WD = 200mm)

2026.2