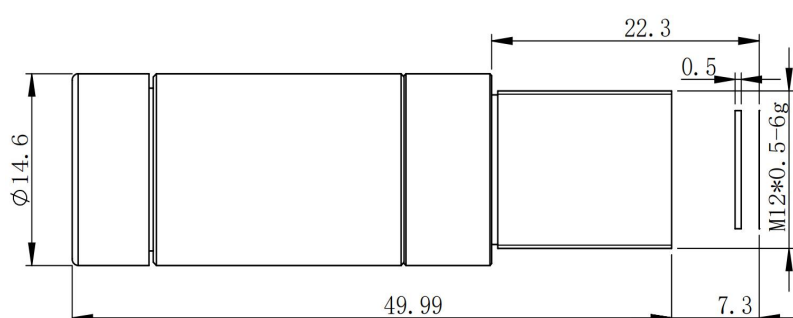


M50FT				f50mm 2/3" M12 Full Thread			
F5.6 F7 F8 F11							
Item NO.: M5056M12FT / M5070M12FT / M5080M12FT / M5011M12FT							
Focal length		50mm		Working Distance	Magnification	2/3" FOV (mm)	
F number(WD=∞)		5.6/7/8/11					
Image Size		1/1.8" (7.2*5.4)	2/3" (8.45*7.07)	mm		H	V
FOV (WD=400mm)	H	8.2°	9.7°	2000	0.026	331	277
	V	6.2°	8.1°	1000	0.052	162	135
	D	10.3°	12.6°	900	0.058	145	121
Distortion(OPT)		0.10%		800	0.066	128	107
Working Distance Range		400mm - ∞		700	0.076	111	93
Best Working Distance		800mm		600	0.090	94	79
TTL(Far-Near)		54-69.94mm		500	0.110	77	65
BFL(WD=800mm, CG0.5)		7.3mm		400	0.140	60	50
Resolution		6MP		300	0.195	43	36
Relative Illumination		97%		250	0.242	35	29
Mount		M12x0.5g		200	0.319	26	22
Thread type		Full thread		150	0.469	18	15
Temperature Range		-30~ +70°C		100	0.885	10	8

Dimension :

Unit: mm



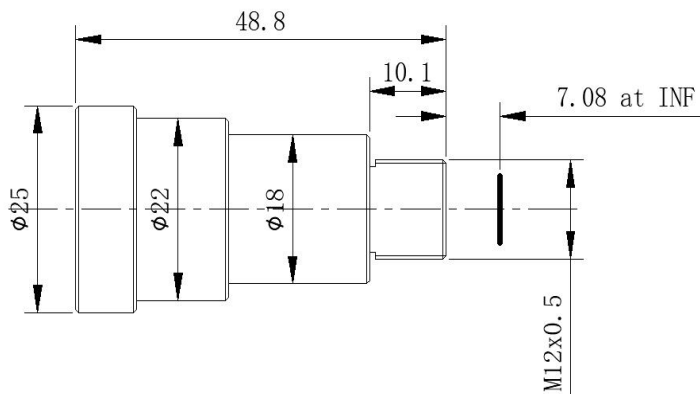
(WD = 800mm)

2026.4

H5025M12

f50 F2.5 1/2"

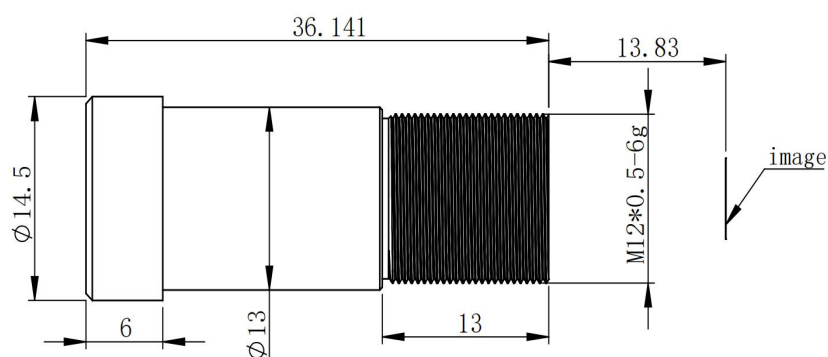
Focal length		50	
F number (WD= ∞)		2.5	
Image Size		1/2" (6.4*4.8)	1/3" (4.8*3.6)
	H	7.3°	5.5°
FOV (deg)	V	5.5°	4.1°
	D	9.1°	6.9°
Distortion(OPT)		0.30%	
Working Distance Range		1000mm - INF	
Best Working Distance		INF	
TTL(INF)		54.96mm	
MBFL		7.08mm	
Resolution		8MP	
Relative Illumination		60%	
Mount		M12	
Temperature Range		-30~ +70°C	
Storage Temperature		-40~ +85°C	



T46FT			f46mm 1/3" M12			
F4.6 F6.0						
Item NO.: T4646M12FT / T4660M12FT						
Focal length		46.45mm	Working Distance	Magnification	1/3" FOV (mm)	
F number(WD=∞)		4.6/6.0				
Image Size		1/3" (4.8*3.6)	mm		H	V
FOV (WD=286mm)	H	3.84°	2000	0.0245	196.3	147.2
	V	2.88°	1000	0.0516	93.0	69.7
	D	4.79°	900	0.0581	82.6	62.0
Distortion(OPT)		0.25%	800	0.0664	72.3	54.2
Working Distance Range		200mm -2000mm	700	0.0775	62.0	46.5
Best Working Distance		286mm	600	0.0929	51.6	38.7
TTL(Far-Near)		39.52-59.97mm	500	0.1162	41.3	31.0
BFL(WD=286mm)		13.83mm	450	0.1328	36.1	27.1
Resolution		6MP	400	0.1550	31.0	23.2
Relative Illumination		>90%	350	0.1860	25.8	19.4
Mount		M12x0.5-6g	300	0.2326	20.6	15.5
Thread type		Half thread	250	0.3102	15.5	11.6
Temperature Range		-30~ +70℃	200	0.4657	10.3	7.7

Dimension :

Unit: mm



(WD = 286mm)

2025.9

T46M12

f46mm 1/2.7" M12

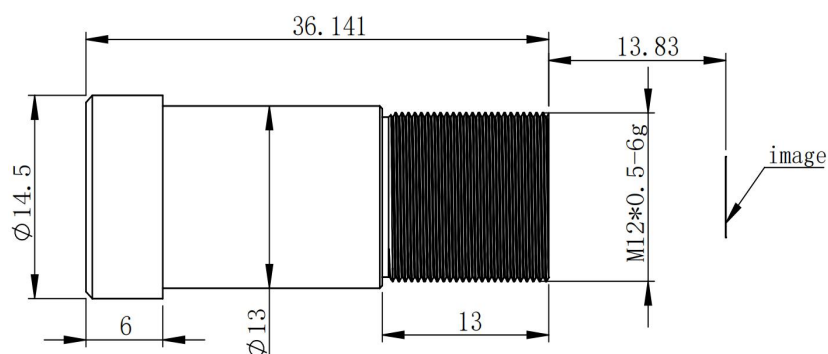
F4.6 F6.0

Item NO.:T4646M12 / T4660M12

Focal length	46.45mm	Working Distance	Magnification	1/2.7" FOV (mm)		
F number(WD=∞)	4.6/6.0			H	V	
Image Size	1/2.7"(5.371*3.884)	mm				
FOV (WD=286mm)	H	3.3°	2000	0.0245	219.7	158.8
	V	2.39°	1000	0.0516	104.0	75.2
	D	4.07°	900	0.0581	92.5	66.9
Distortion(OPT)	0.25%	800	0.0664	80.9	58.5	
Working Distance Range	200mm -2000mm	700	0.0775	69.3	50.1	
Best Working Distance	286mm	600	0.0929	57.8	41.8	
TTL(Far-Near)	39.52-59.97mm	500	0.1162	46.2	33.4	
BFL(WD=286mm)	13.83mm	450	0.1328	40.4	29.2	
Resolution	6MP	400	0.1550	34.7	25.1	
Relative Illumination	>90%	350	0.1860	28.9	20.9	
Mount	M12x0.5-6g	300	0.2326	23.1	16.7	
Thread type	Half thread	250	0.3102	17.3	12.5	
Temperature Range	-30~ +70°C	200	0.4657	11.5	8.3	

Dimension :

Unit: mm



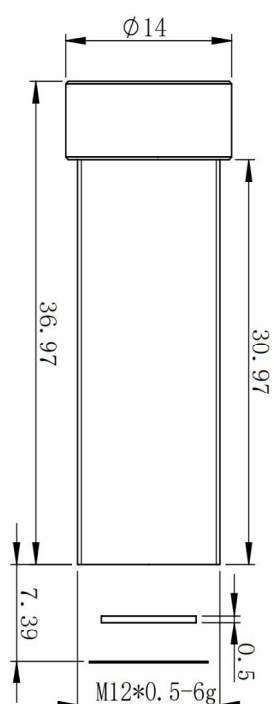
(WD = 286mm)

2025.9

M35FT				f35mm 2/3" M12 Full Thread			
F5.6 F7 F8 F11							
Item NO.: H3556M12FT / H3570M12FT / H3580M12FT / H3511M12FT							
Focal length		35.01mm		Working Distance	Magnification	2/3" FOV (mm)	
F number(WD=∞)		5.6/7/8/11					
Image Size		1/1.8" (7.2*5.4)	2/3" (8.45*7.07)	mm		H	V
FOV (WD=400mm)	H	10.7°	12.6°	2000	0.018	477	399
	V	8.1°	10.6°	1000	0.036	235	197
	D	13.4°	16.4°	900	0.040	211	177
Distortion(OPT)		0.10%		800	0.045	187	156
Working Distance Range		100mm - ∞		700	0.052	163	136
Best Working Distance		400mm		600	0.061	139	116
TTL(Far-Near)		41.10-57.53mm		500	0.074	114	96
BFL(WD=400mm, CG0.5)		7.39mm		400	0.094	90	76
Resolution		6MP		300	0.128	66	55
Relative Illumination		95%		250	0.156	54	45
Mount		M12x0.5g		200	0.201	42	35
Thread type		Full thread		150	0.282	30	25
Temperature Range		-30~ +70°C		100	0.471	18	15

Dimension :

Unit: mm



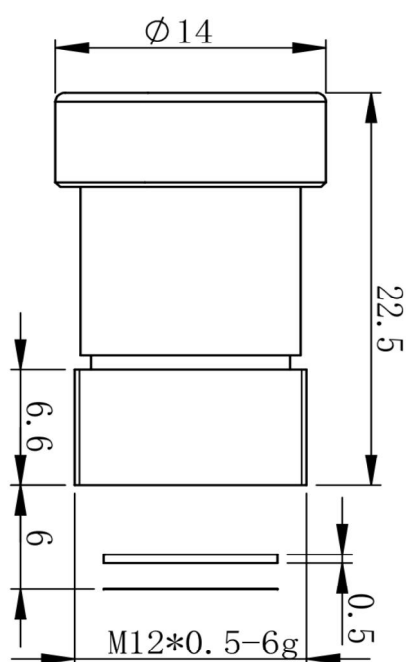
(WD = 400mm)

2025. 8

H30HT		f30mm 1/1.8" M12 Half Thread					
F4 F5.6 F7 F8 F11							
Item NO.:H3040M12HT / H3056M12HT / H3070M12HT / H3080M12HT / H3011M12HT							
Focal length		30mm		Working Distance	Magnification	1/1.8" FOV (mm)	
F number(WD=∞)		4/5.6/7/8/11					
Image Size		1/1.8" (7.2*5.4)	1/3" (4.8*3.6)	mm		H	V
FOV (WD=400mm)	H	13.7°	9.1°	2000	0.015	471	353
	V	10.3°	6.9°	1000	0.031	230	173
	D	17.1°	11.4°	900	0.035	206	155
Distortion(OPT)		1.00%		800	0.040	182	137
Working Distance Range		100mm - ∞		700	0.046	158	119
Best Working Distance		400mm		600	0.054	134	101
TTL(Far-Near)		25.95-41.41mm		500	0.065	110	83
BFL(WD=400mm, CG0.5)		6.0mm		400	0.084	86	65
Resolution		6 MP		300	0.116	62	46
Relative Illumination		90%		250	0.144	50	37
Mount		M12x0.5g		200	0.190	38	28
Thread type		Half thread		150	0.278	26	19
Temperature Range		-30~ +70°C		100	0.518	14	10

Dimension :

Unit: mm



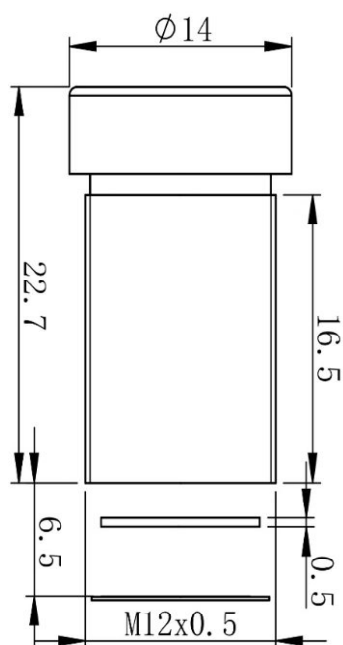
(WD = 400mm)

2026.4

M25FT				f25mm 2/3" M12 Full Thread			
F5.6 F7 F8 F11							
Item NO.: M2556M12FT / M2570M12FT / M2580M12FT / M2511M12FT							
Focal length		25.06mm		Working Distance	Magnification	2/3" FOV (mm)	
F number(WD=∞)		5.6/7/8/11					
Image Size		1/1.8" (7.2*5.4)	2/3" (8.45*7.07)	mm		H	V
FOV (WD=400)	H	16.3°	19.1°	2000	0.013	667	558
	V	12.3°	16.1°	1000	0.026	329	276
	D	20.4°	24.8°	900	0.029	296	247
Distortion(OPT)		0.20%		800	0.032	262	219
Working Distance Range		100mm - ∞		700	0.037	228	191
Best Working Distance		400mm		600	0.043	194	163
TTL(Far-Near)		27.56-35.63mm		500	0.053	161	135
BFL(WD=400mm, CG0.55)		6.5mm		400	0.067	127	106
Resolution		6MP		300	0.091	93	78
Relative Illumination		91%		250	0.110	76	64
Mount		M12x0.5g		200	0.142	60	50
Thread type		Full thread		150	0.198	43	36
Temperature Range		-30~ +70°C		100	0.326	26	22

Dimension :

Unit: mm



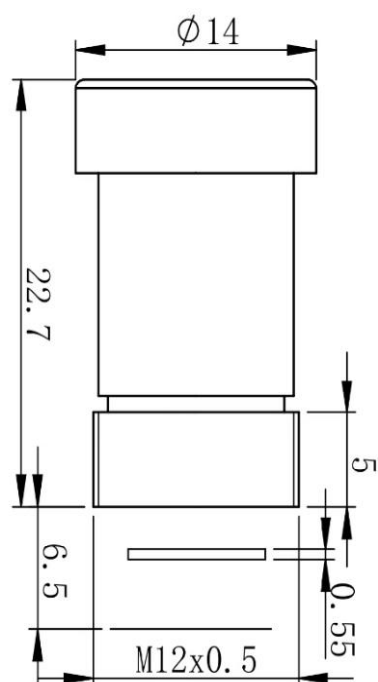
(WD = 400mm)

2025. 8

M25HT				f25mm 2/3" M12 Half Thread			
F5.6 F7 F8 F11							
Item NO.: M2556M12HT / M2570M12HT / M2580M12HT / M2511M12HT							
Focal length		25.06mm		Working Distance	Magnification	2/3" FOV (mm)	
F number(WD=∞)		5.6/7/8/11					
Image Size		1/1.8" (7.2*5.4)	2/3" (8.45*7.07)	mm		H	V
FOV (WD=400mm)	H	16.3°	19.1°	2000	0.013	667	558
	V	12.3°	16.1°	1000	0.026	329	276
	D	20.4°	24.8°	900	0.029	296	247
Distortion(OPT)		0.20%		800	0.032	262	219
Working Distance Range		100mm - ∞		700	0.037	228	191
Best Working Distance		400mm		600	0.043	194	163
TTL(Far-Near)		27.56-35.63mm		500	0.053	161	135
BFL(WD=400mm, CG0.55)		6.5mm		400	0.067	127	106
Resolution		6MP		300	0.091	93	78
Relative Illumination		91%		250	0.110	76	64
Mount		M12x0.5g		200	0.142	60	50
Thread type		Half thread		150	0.198	43	36
Temperature Range		-30~ +70°C		100	0.326	26	22

Dimension :

Unit: mm



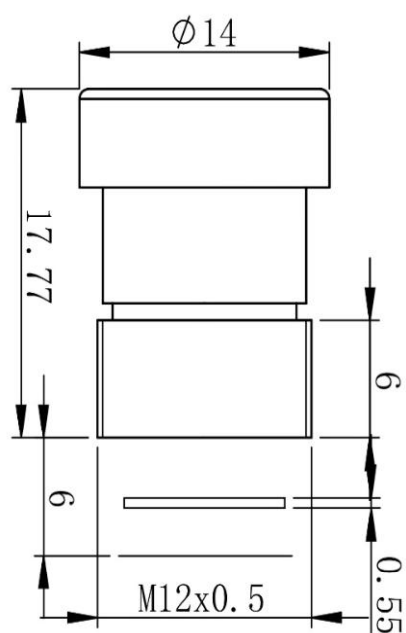
(WD = 400mm)

2025. 8

M20HT			f20mm 2/3" M12 Half Thread				
F5.6 F7 F8 F11							
Item NO.: M2056M12HT / M2070M12HT / M2080M12HT / M2011M12HT							
Focal length		20.03mm		Working Distance	Magnification	2/3" FOV (mm)	
F number(WD=∞)		5.6/7/8/11					
Image Size		1/1.8" (7.2*5.4)	2/3" (8.45*7.07)	mm		H	V
FOV (WD=400mm)	H	19.3°	22.6°	2000	0.010	837	700
	V	14.5°	18.9°	1000	0.020	414	347
	D	24.0°	29.2°	900	0.023	372	311
Distortion(OPT)		0.10%		800	0.026	330	276
Working Distance Range		100mm - ∞		700	0.029	287	240
Best Working Distance		400mm		600	0.034	246	206
TTL(Far-Near)		22.73-27.54mm		500	0.042	204	170
BFL(WD=400mm, CG0.55)		6mm		400	0.052	161	135
Resolution		6MP		300	0.071	119	100
Relative Illumination		90%		250	0.086	98	82
Mount		M12x0.5g		200	0.110	77	64
Thread type		Half thread		150	0.151	56	47
Temperature Range		-30~ +70°C		100	0.243	35	29

Dimension :

Unit: mm



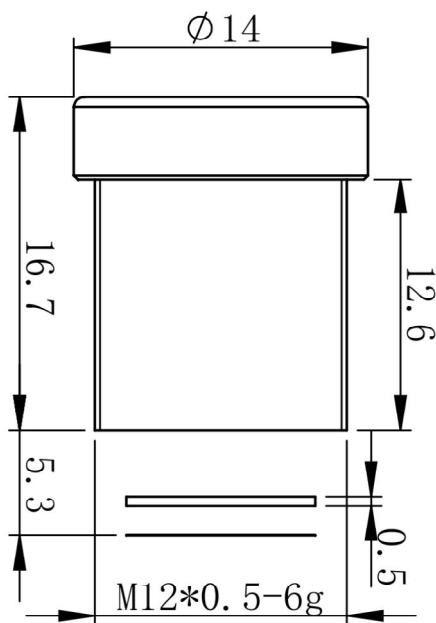
(WD = 400mm)

2025. 8

H18FT				f18mm 1/1.8" M12 Full Thread			
F4 F5.6 F7 F8 F11							
Item NO.:H1840M12FT / H1856M12FT / H1870M12FT / H1880M12FT / H1811M12FT							
Focal length		18.01mm		Working Distance	Magnification	1/1.8" FOV (mm)	
F number(WD=∞)		4/5.6/7/8/11					
Image Size		1/1.8" (7.2*5.4)	1/3" (4.8*3.6)	mm		H	V
FOV (WD=300mm)	H	21.1°	14.2°	2000	0.009	793	595
	V	15.9°	10.7°	1000	0.018	393	295
	D	26.2°	17.7°	900	0.020	354	265
Distortion(OPT)		-0.13%		800	0.023	314	235
Working Distance Range		100mm - ∞		700	0.026	274	205
Best Working Distance		300mm		600	0.031	234	175
TTL(Far-Near)		18.88-22.68mm		500	0.037	194	145
BFL(WD=300mm, CG0.5)		5.3mm		400	0.047	154	115
Resolution		6 MP		300	0.063	114	85
Relative Illumination		85%		250	0.077	94	70
Mount		M12x0.5g		200	0.098	74	55
Thread type		Full thread		150	0.134	54	40
Temperature Range		-30~ +70°C		100	0.214	34	25

Dimension :

Unit: mm



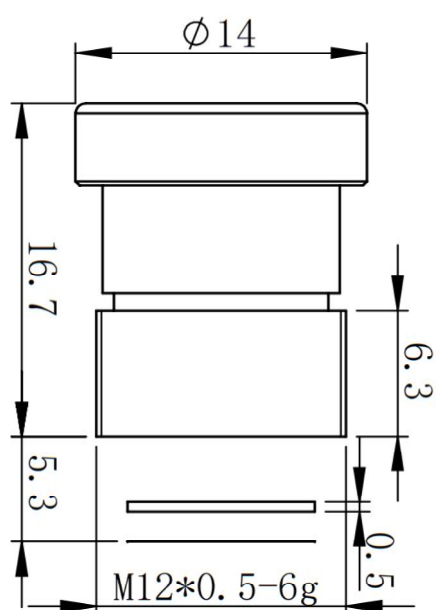
(WD = 300mm)

2026.4

H18HT				f18mm 1/1.8" M12 Half Thread			
F4 F5.6 F7 F8 F11							
Item NO.:H1840M12HT / H1856M12HT / H1870M12HT / H1880M12HT / H1811M12HT							
Focal length		18.01mm		Working Distance	Magnification	1/1.8" FOV (mm)	
F number(WD=∞)		4/5.6/7/8/11					
Image Size		1/1.8" (7.2*5.4)	1/3" (4.8*3.6)	mm		H	V
FOV (WD=300mm)	H	21.1°	14.2°	2000	0.009	793	595
	V	15.9°	10.7°	1000	0.018	393	295
	D	26.2°	17.7°	900	0.020	354	265
Distortion(OPT)		-0.13%		800	0.023	314	235
Working Distance Range		100mm - ∞		700	0.026	274	205
Best Working Distance		300mm		600	0.031	234	175
TTL(Far-Near)		18.88-22.68mm		500	0.037	194	145
BFL(WD=300mm, CG0.5)		5.3mm		400	0.047	154	115
Resolution		6 MP		300	0.063	114	85
Relative Illumination		85%		250	0.077	94	70
Mount		M12x0.5g		200	0.098	74	55
Thread type		Half thread		150	0.134	54	40
Temperature Range		-30~ +70°C		100	0.214	34	25

Dimension :

Unit: mm



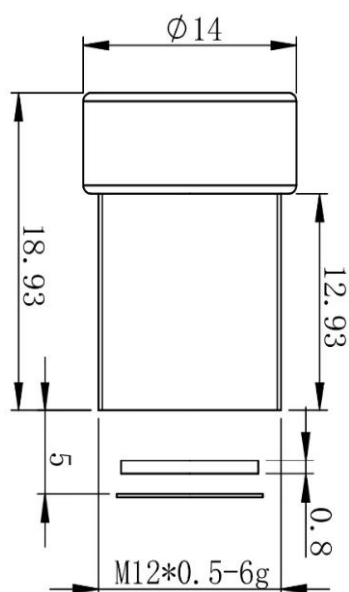
(WD = 300mm)

2026.4

H16FT			f16mm 1/1.8" M12 Full Thread				
F4 F5.6 F7 F8 F11							
Item NO.:H1640M12FT / H1656M12FT / H1670M12FT / H1680M12FT / H1611M12FT							
Focal length		16.01mm		Working Distance	Magnification	1/1.8" FOV (mm)	
F number(WD=∞)		4/5.6/7/8/11					
Image Size		1/1.8" (7.2*5.4)	1/3" (4.8*3.6)	mm		H	V
FOV (WD=400mm)	H	24.5°	16.4°	2000	0.008	895	672
	V	18.5°	12.4°	1000	0.016	446	334
	D	30.3°	20.5°	900	0.018	401	301
Distortion(OPT)		-0.17%		800	0.020	356	267
Working Distance Range		100mm - ∞		700	0.023	311	233
Best Working Distance		400mm		600	0.027	266	199
TTL(Far-Near)		23.17-26mm		500	0.033	221	166
BFL(WD=400mm, CG0.8)		5.0mm		400	0.041	176	132
Resolution		6 MP		300	0.055	131	98
Relative Illumination		90%		250	0.066	108	81
Mount		M12x0.5g		200	0.084	86	65
Thread type		Full thread		150	0.113	64	48
Temperature Range		-30~ +70°C		100	0.175	41	31

Dimension :

Unit: mm



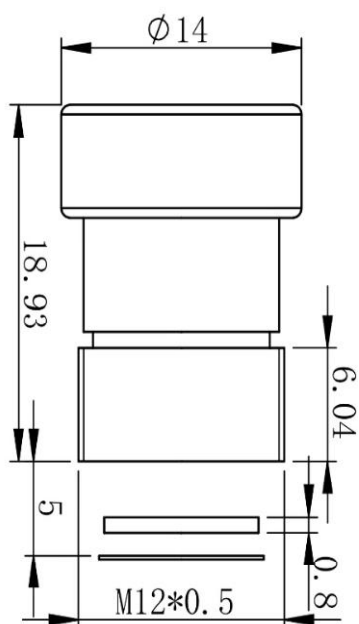
(WD = 400mm)

2025. 8

H16HT				f16mm 1/1.8" M12 Half Thread			
F4 F5.6 F7 F8 F11							
Item NO.:H1640M12HT / H1656M12HT / H1670M12HT / H1680M12HT / H1611M12HT							
Focal length		16.01mm		Working Distance	Magnification	1/1.8" FOV (mm)	
F number(WD=∞)		4/5.6/7/8/11					
Image Size		1/1.8" (7.2*5.4)	1/3" (4.8*3.6)	mm		H	V
FOV (WD=400mm)	H	24.5°	16.4°	2000	0.008	895	672
	V	18.5°	12.4°	1000	0.016	446	334
	D	30.3°	20.5°	900	0.018	401	301
Distortion(OPT)		-0.17%		800	0.020	356	267
Working Distance Range		100mm - ∞		700	0.023	311	233
Best Working Distance		400mm		600	0.027	266	199
TTL(Far-Near)		23.17-26mm		500	0.033	221	166
BFL(WD=400mm, CG0.8)		5.0mm		400	0.041	176	132
Resolution		6 MP		300	0.055	131	98
Relative Illumination		90%		250	0.066	108	81
Mount		M12x0.5g		200	0.084	86	65
Thread type		Half thread		150	0.113	64	48
Temperature Range		-30~ +70°C		100	0.175	41	31

Dimension :

Unit: mm



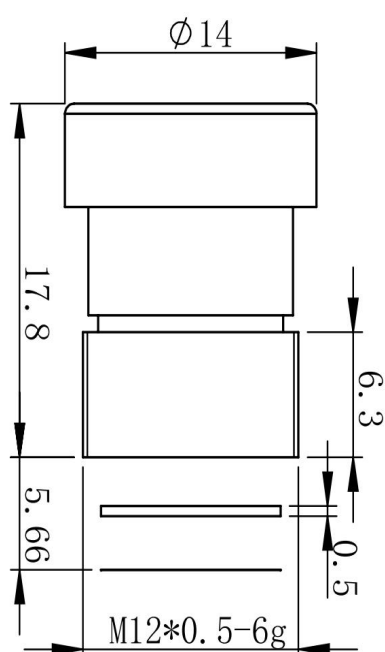
(WD = 400mm)

2025.8

H148HT				f14.8mm 1/1.8" M12 Half Thread			
F3.8 F5.6							
Item NO.: H14838M12HT / H14856M12HT							
Focal length		14.8mm		Working Distance	Magnification	1/1.8" FOV (mm)	
F number(WD=∞)		3.8/5.6					
Image Size		1/1.8" (7.2*5.4)	1/3" (4.8*3.6)	mm		H	V
FOV (WD=300mm)	H	27.3°	18.4°	2000	0.007	969	727
	V	20.7°	13.9°	1000	0.015	483	362
	D	33.8°	22.9°	900	0.017	434	326
Distortion(OPT)		0.20%		800	0.019	385	289
Working Distance Range		100mm - ∞		700	0.021	337	253
Best Working Distance		300mm		600	0.025	288	216
TTL(Far-Near)		22.33-24.69mm		500	0.030	239	180
BFL(WD=300mm, CG0.5)		5.66mm		400	0.038	191	143
Resolution		6MP		300	0.051	142	107
Relative Illumination		80%		250	0.061	118	88
Mount		M12x0.5g		200	0.077	93	70
Thread type		Half thread		150	0.104	69	52
Temperature Range		-30~ +70°C		100	0.161	45	34

Dimension :

Unit: mm



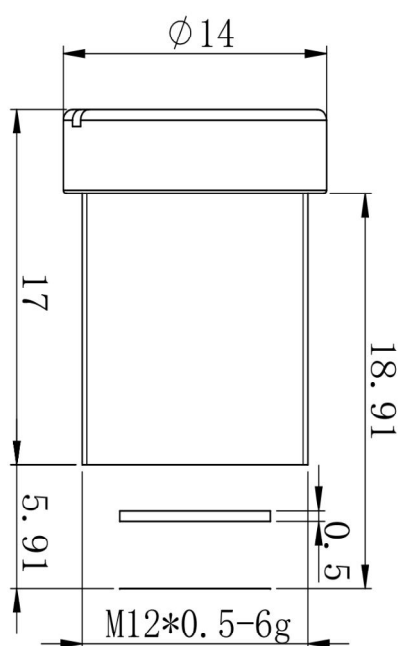
(WD = 300mm)

2026.4

H14FT				f14mm 1/1.8" M12 Full Thread			
F5.6 F7 F8 F11							
Item NO.: H1456M12FT / H1470M12FT / H1480M12FT / H1411M12FT							
Focal length		14mm		Working Distance	Magnification	1/1.8" FOV (mm)	
F number(WD=∞)		5.6/7/8/11					
Image Size		1/1.8" (7.2*5.4)	1/3" (4.8*3.6)	mm		H	V
FOV (WD=300mm)	H	28.9°	19.5°	2000	0.007	1025	769
	V	21.9°	14.7°	1000	0.014	511	383
	D	35.7°	24.2°	900	0.016	459	344
Distortion(OPT)		-0.03%		800	0.018	408	306
Working Distance Range		100mm - ∞		700	0.020	356	267
Best Working Distance		300mm		600	0.024	305	229
TTL(Far-Near)		22.24-24.36mm		500	0.028	254	190
BFL(WD=300mm, CG0.5)		5.91mm		400	0.036	202	152
Resolution		6MP		300	0.048	151	113
Relative Illumination		83%		250	0.058	125	94
Mount		M12x0.5g		200	0.073	99	74
Thread type		Full thread		150	0.098	74	55
Temperature Range		-30~ +70°C		100	0.150	48	36

Dimension :

Unit: mm



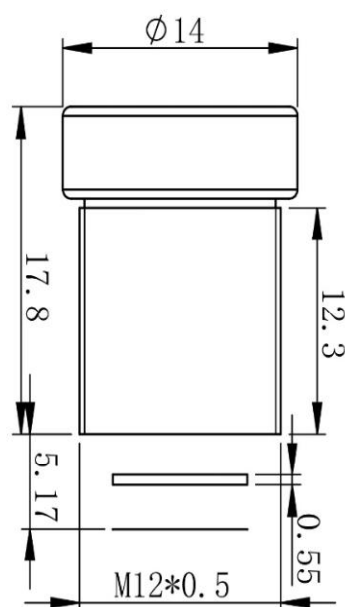
(WD = 300mm)

2025.8

H12FT			f12mm 1/1.8" M12 Full Thread				
F5.6 F7 F8 F11							
Item NO.: H1256M12FT / H1270M12FT / H1280M12FT / H1211M12FT							
Focal length		12.02mm		Working Distance	Magnification	1/1.8" FOV (mm)	
F number(WD=∞)		5.6/7/8/11					
Image Size		1/1.8" (7.2*5.4)	1/3" (4.8*3.6)	mm		H	V
FOV (WD=300mm)	H	32.4°	21.9°	2000	0.006	1198	899
	V	24.6°	16.5°	1000	0.012	599	449
	D	39.9°	27.2°	900	0.013	539	404
Distortion(OPT)		-0.20%		800	0.015	479	360
Working Distance Range		100mm - ∞		700	0.017	419	315
Best Working Distance		300mm		600	0.020	360	270
TTL(Far-Near)		22.48 - 23.96mm		500	0.024	300	225
BFL(WD=∞, CG0.55)		4.68mm		400	0.030	240	180
Resolution		6MP		300	0.040	180	135
Relative Illumination		81%		250	0.048	150	112
Mount		M12x0.5g		200	0.060	120	90
Thread type		Full thread		150	0.080	90	67
Temperature Range		-30~ +70°C		100	0.120	60	45

Dimension :

Unit: mm



(WD = 300mm)

2025. 8

H12HT

f12mm 1/1.8" M12 Half Thread

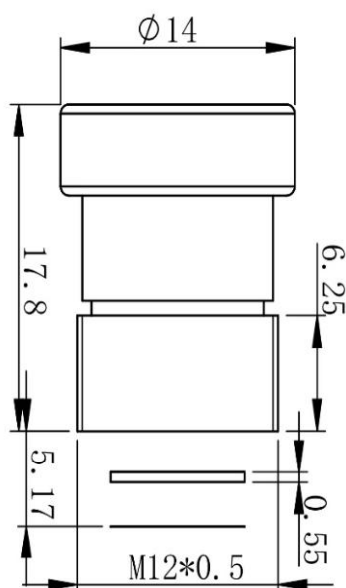
F5.6 F7 F8 F11

Item NO.: **H1256M12HT** / H1270M12HT / H1280M12HT / H1211M12HT

Focal length		12.02mm		Working Distance	Magnification	1/1.8" FOV (mm)	
F number(WD=∞)		5.6/7/8/11					
Image Size		1/1.8" (7.2*5.4)	1/3" (4.8*3.6)	mm		H	V
FOV (WD=300mm)	H	32.4°	21.9°	2000	0.006	1198	899
	V	24.6°	16.5°	1000	0.012	599	449
	D	39.9°	27.2°	900	0.013	539	404
Distortion(OPT)		-0.20%		800	0.015	479	360
Working Distance Range		100mm - ∞		700	0.017	419	315
Best Working Distance		300mm		600	0.020	360	270
TTL(Far-Near)		22.48 - 23.96mm		500	0.024	300	225
BFL(WD=∞, CG0.55)		4.68mm		400	0.030	240	180
Resolution		6MP		300	0.040	180	135
Relative Illumination		81%		250	0.048	150	112
Mount		M12x0.5g		200	0.060	120	90
Thread type		Half thread		150	0.080	90	67
Temperature Range		-30~ +70°C		100	0.120	60	45

Dimension :

Unit: mm



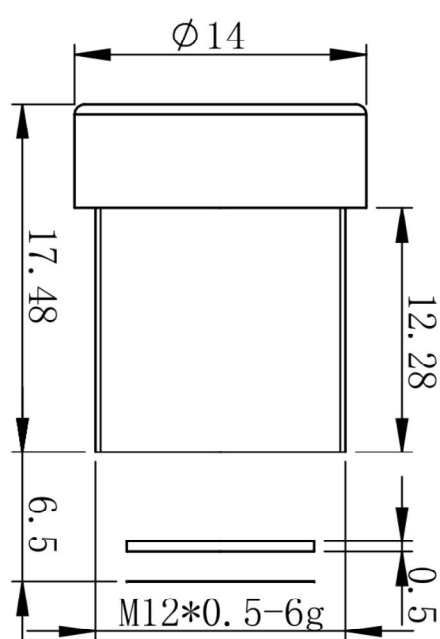
(WD = 300mm)

2025. 8

M12FT				f12mm 2/3" M12 Full Thread			
F3.8 F5.6							
Item NO.: M1238M12FT / M1256M12FT							
Focal length		12.00mm		Working Distance	Magnification	2/3" FOV (mm)	
F number(WD=∞)		3.8/5.6					
Image Size		2/3" (8.45*7.07)	1/1.8" (7.2*5.4)	mm		H	V
FOV (WD=200mm)	H	38.1°	32.7°	2000	0.006	1407	1178
	V	32.2°	24.8°	1000	0.012	703	589
	D	48.3°	40.3°	900	0.013	633	530
Distortion(OPT)		-1.00%		800	0.015	563	471
Working Distance Range		100mm - ∞		700	0.017	492	412
Best Working Distance		300mm		600	0.020	422	353
TTL(Far-Near)		23.45-24.97mm		500	0.024	351	294
BFL(WD=300mm)		6.5mm		400	0.030	281	235
Resolution		6MP		300	0.040	211	176
Relative Illumination		75%		250	0.048	175	147
Mount		M12x0.5g		200	0.060	140	117
Thread type		Full thread		150	0.080	105	88
Temperature Range		-30~ +70°C		100	0.121	70	58

Dimension :

Unit: mm



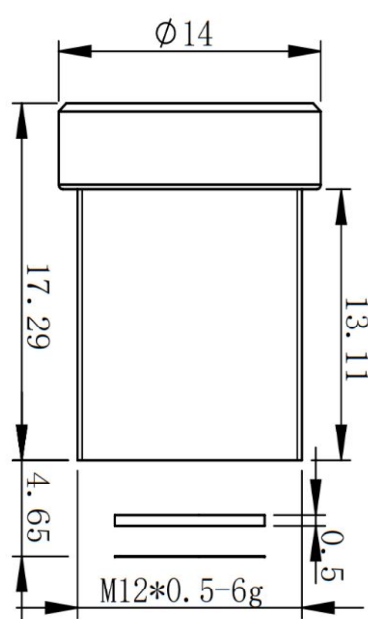
(WD = 300mm)

2025. 8

H10FT		f10mm 1/1.8" M12 Full Thread					
F5.6 F7 F8 F11							
Item NO.: H1056M12FT / H1070M12FT / H1080M12FT / H1011M12FT							
Focal length		10mm		Working Distance	Magnification	1/1.8" FOV (mm)	
F number(WD=∞)		5.6/7/8/11					
Image Size		1/1.8" (7.2*5.4)	1/3" (4.8*3.6)	mm		H	V
FOV (WD=250mm)	H	39.7°	27.1°	2000	0.005	1440	1080
	V	30.4°	20.5°	1000	0.010	720	540
	D	48.6°	33.5°	900	0.011	648	486
Distortion(OPT)		0.20%		800	0.013	576	432
Working Distance Range		100mm - ∞		700	0.014	504	378
Best Working Distance		250mm		600	0.017	432	324
TTL(Far-Near)		21.53-22.58mm		500	0.020	360	270
BFL(WD=250mm, CG0.5)		4.65mm		400	0.025	288	216
Resolution		6MP		300	0.033	216	162
Relative Illumination		72%		250	0.040	180	135
Mount		M12x0.5-6g		200	0.050	144	108
Thread type		Full thread		150	0.067	108	81
Temperature Range		-30~ +70°C		100	0.100	72	54

Dimension :

Unit: mm



(WD = 250mm)

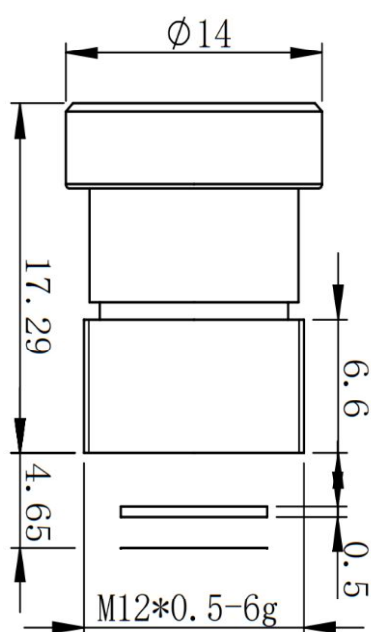


2025.8

H10HT				f10mm 1/1.8" M12 Half Thread			
F5.6 F7 F8 F11							
Item NO.: H1056M12HT / H1070M12HT / H1080M12HT / H1011M12HT							
Focal length		10mm		Working Distance	Magnification	1/1.8" FOV (mm)	
F number(WD=∞)		5.6/7/8/11					
Image Size		1/1.8" (7.2*5.4)	1/3" (4.8*3.6)	mm		H	V
FOV (WD=250mm)	H	39.7°	27.1°	2000	0.005	1440	1080
	V	30.4°	20.5°	1000	0.010	720	540
	D	48.6°	33.5°	900	0.011	648	486
Distortion(OPT)		0.20%		800	0.013	576	432
Working Distance Range		100mm - ∞		700	0.014	504	378
Best Working Distance		250mm		600	0.017	432	324
TTL(Far-Near)		21.53-22.58mm		500	0.020	360	270
BFL(WD=250mm, CG0.5)		4.65mm		400	0.025	288	216
Resolution		6MP		300	0.033	216	162
Relative Illumination		72%		250	0.040	180	135
Mount		M12x0.5-6g		200	0.050	144	108
Thread type		Half thread		150	0.067	108	81
Temperature Range		-30~ +70°C		100	0.100	72	54

Dimension :

Unit: mm



(WD = 250mm)

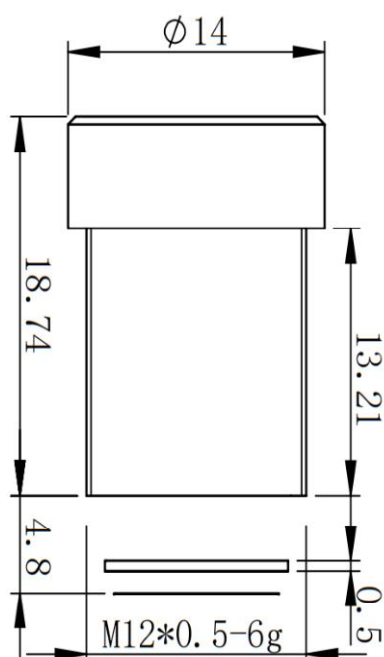


2025.8

H09FT				f9mm 1/1.8" M12 Full Thread			
F5.6 F7 F8 F11							
Item NO.: H0956M12FT / H0970M12FT / H0980M12FT / H0911M12FT							
Focal length		9mm		Working Distance	Magnification	1/1.8" FOV (mm)	
F number(WD=∞)		5.6/7/8/11					
Image Size		1/1.8" (7.2*5.4)	1/3" (4.8*3.6)	mm		H	V
FOV (WD=250mm)	H	42.7°	49.7°	2000	0.004	1601	1200
	V	32.7°	42°	1000	0.009	801	601
	D	52.0°	62.1°	900	0.010	721	541
Distortion(OPT)		0.30%		800	0.011	641	481
Working Distance Range		100mm - ∞		700	0.013	561	421
Best Working Distance		250mm		600	0.015	481	361
TTL(Far-Near)		22.96-23.8mm		500	0.018	401	301
BFL(WD=250mm, CG0.5)		4.80mm		400	0.022	321	241
Resolution		6MP		300	0.030	241	181
Relative Illumination		73%		250	0.036	201	151
Mount		M12x0.5-6g		200	0.045	161	121
Thread type		Full thread		150	0.060	121	91
Temperature Range		-30~ +70°C		100	0.089	81	61

Dimension :

Unit: mm



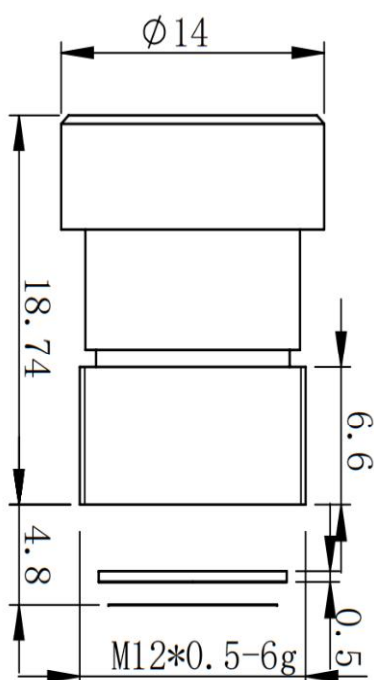
(WD = 250mm)

2026.4

H09HT				f9mm 1/1.8" M12 Half Thread			
F5.6 F7 F8 F11							
Item NO.: H0956M12HT / H0970M12HT / H0980M12HT / H0911M12HT							
Focal length		9mm		Working Distance	Magnification	1/1.8" FOV (mm)	
F number(WD=∞)		5.6/7/8/11					
Image Size		1/1.8" (7.2*5.4)	1/3" (4.8*3.6)	mm		H	V
FOV (WD=250mm)	H	42.7°	49.7°	2000	0.004	1601	1200
	V	32.7°	42°	1000	0.009	801	601
	D	52.0°	62.1°	900	0.010	721	541
Distortion(OPT)		0.30%		800	0.011	641	481
Working Distance Range		100mm - ∞		700	0.013	561	421
Best Working Distance		250mm		600	0.015	481	361
TTL(Far-Near)		22.96-23.8mm		500	0.018	401	301
BFL(WD=250mm, CG0.5)		4.80mm		400	0.022	321	241
Resolution		6MP		300	0.030	241	181
Relative Illumination		73%		250	0.036	201	151
Mount		M12x0.5-6g		200	0.045	161	121
Thread type		Half thread		150	0.060	121	91
Temperature Range		-30~ +70°C		100	0.089	81	61

Dimension :

Unit: mm



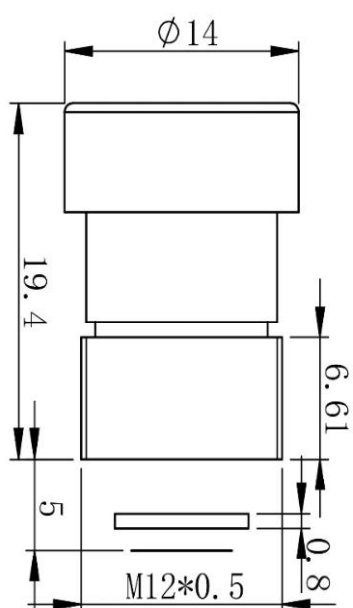
(WD = 250mm)

2026.4

H08HT				f8mm 1/1.8" M12 Half Thread			
F4 F5.6 F7 F8 F11							
Item NO.:H0840M12HT / H0856M12HT / H0870M12HT / H0880M12HT / H0811M12HT							
Focal length		8.17mm		Working Distance	Magnification	1/1.8" FOV (mm)	
F number(WD=∞)		4/5.6/7/8/11					
Image Size		1/1.8" (7.2*5.4)	1/3" (4.8*3.6)	mm		H	V
FOV (WD=200mm)	H	47.2°	32.3°	2000	0.004	1765	1324
	V	36.2°	24.5°	1000	0.008	884	663
	D	57.5°	39.9°	900	0.009	796	597
Distortion(OPT)		-1.54%		800	0.010	707	531
Working Distance Range		100mm - ∞		700	0.012	619	464
Best Working Distance		200mm		600	0.014	531	398
TTL(Far-Near)		24.05-24.75mm		500	0.016	443	332
BFL(WD=200mm,CG0.8)		5.0mm		400	0.020	355	266
Resolution		6MP		300	0.027	267	200
Relative Illumination		76%		250	0.032	223	167
Mount		M12x0.5g		200	0.040	178	134
Thread type		Half thread		150	0.054	134	101
Temperature Range		-30~ +70°C		100	0.080	90	68

Dimension :

Unit: mm



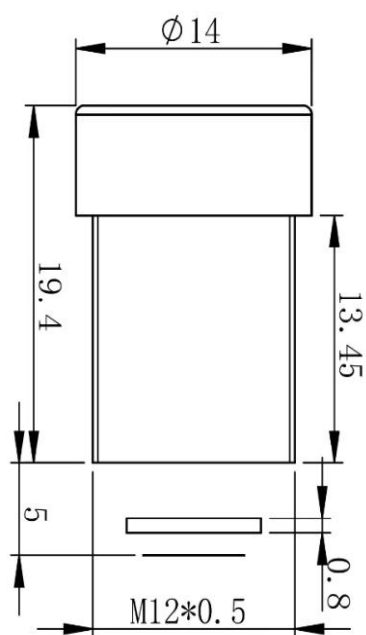
(WD = 200mm)

2025. 8

H08FT		f8mm 1/1.8" M12 Full Thread					
F4 F5.6 F7 F8 F11							
Item NO.:H0840M12FT / H0856M12FT / H0870M12FT / H0880M12FT / H0811M12FT							
Focal length		8.17mm		Working Distance	Magnification	1/1.8" FOV (mm)	
F number(WD=∞)		4/5.6/7/8/11					
Image Size		1/1.8" (7.2*5.4)	1/3" (4.8*3.6)	mm		H	V
FOV (WD=200mm)	H	47.2°	32.3°	2000	0.004	1765	1324
	V	36.2°	24.5°	1000	0.008	884	663
	D	57.5°	39.9°	900	0.009	796	597
Distortion(OPT)		-1.54%		800	0.010	707	531
Working Distance Range		100mm - ∞		700	0.012	619	464
Best Working Distance		200mm		600	0.014	531	398
TTL(Far-Near)		24.05-24.75mm		500	0.016	443	332
BFL(WD=200mm,CG0.8)		5.0mm		400	0.020	355	266
Resolution		6MP		300	0.027	267	200
Relative Illumination		76%		250	0.032	223	167
Mount		M12x0.5g		200	0.040	179	134
Thread type		Full thread		150	0.054	134	101
Temperature Range		-30~ +70°C		100	0.080	90	68

Dimension :

Unit: mm



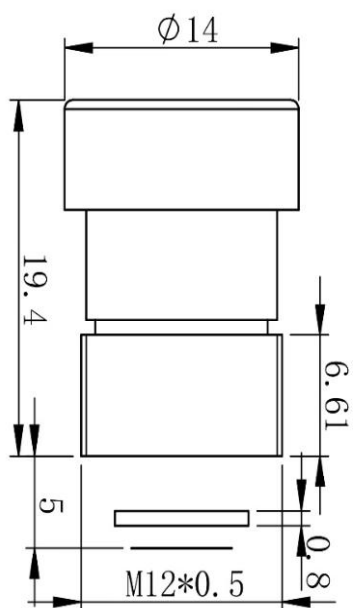
(WD = 200mm)

2025. 8

H08HT-G		f8mm 1/1.8" M12 Shock-resistant					
F4 F5.6 F7 F8 F11							
Item NO.:H0840M12HT-G / H0856M12HT-G / H0870M12HT-G / H0880M12HT-G / H0811M12HT-G							
Focal length		8.17mm		Working Distance	Magnification	1/1.8" FOV (mm)	
F number(WD=∞)		4/5.6/7/8/11					
Image Size		1/1.8" (7.2*5.4)	1/3" (4.8*3.6)	mm		H	V
FOV (WD=200mm)	H	47.2°	32.3°	2000	0.004	1765	1324
	V	36.2°	24.5°	1000	0.008	884	663
	D	57.5°	39.9°	900	0.009	796	597
Distortion(OPT)		-1.54%		800	0.010	707	531
Working Distance Range		100mm - ∞		700	0.012	619	464
Best Working Distance		200mm		600	0.014	531	398
TTL(Far-Near)		24.05-24.75mm		500	0.016	443	332
BFL(WD=200mm,CG0.8)		5.0mm		400	0.020	355	266
Resolution		6MP		300	0.027	267	200
Relative Illumination		76%		250	0.032	223	167
Mount		M12x0.5g		200	0.040	178	134
Thread type		Half thread		150	0.054	134	101
Temperature Range		-30~ +70°C		100	0.080	90	68

Dimension :

Unit: mm



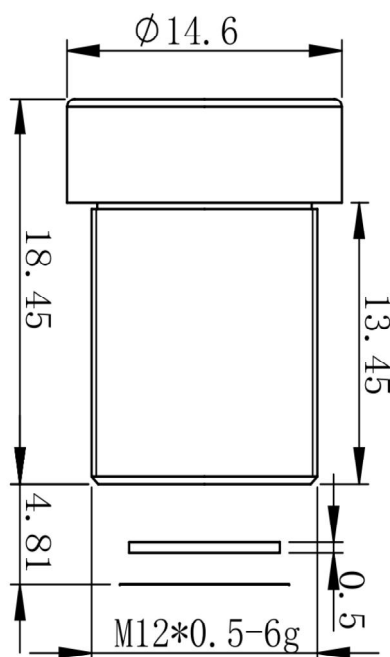
(WD = 200mm)

2025. 8

H07FT		f7mm 1/ 1.8" M12 Full Thread					
F5.6 F7 F8 F11							
Item NO.: H0756M12FT / H0770M12FT / H0780M12FT / H0711M12FT							
Focal length		7.08mm		Working Distance	Magnification	1/1.8" FOV (mm)	
F number(WD=∞)		5.6/7/8/11					
Image Size		1/1.8" (7.2*5.4)	1/3" (4.8*3.6)	mm		H	V
FOV (WD=200mm)	H	53.3°	36.9°	2000	0.004	2037	1528
	V	41.2°	28.1°	1000	0.007	1020	765
	D	64.3°	45.4°	900	0.008	919	689
Distortion(OPT)		-1.00%		800	0.009	817	613
Working Distance Range		100mm - ∞		700	0.010	715	537
Best Working Distance		200mm		600	0.012	614	460
TTL(Far-Near)		23.03-23.50mm		500	0.014	512	384
BFL(WD=200mm,CG0.5)		4.81mm		400	0.018	411	308
Resolution		6MP		300	0.023	309	232
Relative Illumination		65%		250	0.028	258	194
Mount		M12x0.5-6g		200	0.035	207	155
Thread type		Full thread		150	0.046	156	117
Temperature Range		-30~ +70°C		100	0.068	106	79

Dimension :

Unit: mm



(WD = 200mm)

2025.8

H06HT

f6mm 1/2" M12 Half Thread

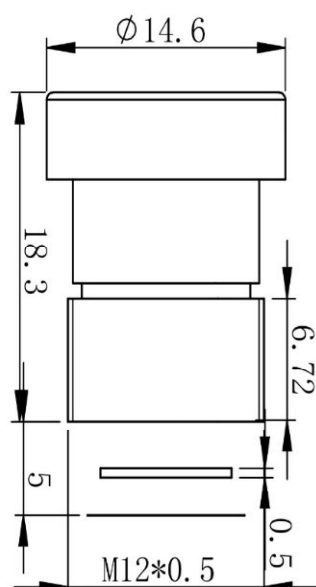
F4 F5.6 F7 F8 F11

Item NO.:H0640M12HT / **H0656M12HT** / H0670M12HT / H0680M12HT / H0611M12HT

Focal length		6.1mm		Working Distance	Magnification	1/2" FOV (mm)	
F number(WD=∞)		4/5.6/7/8/11					
Image Size		1/2" (6.4*4.8)	1/3" (4.8*3.6)	mm		H	V
FOV (WD=200mm)	H	54.3°	41.9°	2000	0.0030	2102	1577
	V	41.9°	32.0°	1000	0.0061	1054	790
	D	65.3°	51.3°	900	0.0067	949	712
Distortion(OPT)		-1.00%		800	0.0076	844	633
Working Distance Range		100mm - ∞		700	0.0087	739	554
Best Working Distance		200mm		600	0.0101	634	476
TTL(Far-Near)		23.1-23.49mm		500	0.0121	529	397
BFL(WD=200mm,CG0.5)		5.0mm		400	0.0151	425	318
Resolution		6MP		300	0.0200	320	240
Relative Illumination		65%		250	0.0239	267	200
Mount		M12x0.5g		200	0.0298	215	161
Thread type		Half thread		150	0.0394	162	122
Temperature Range		-30~ +70°C		100	0.0582	110	82

Dimension :

Unit: mm



(WD = 200mm)

2025. 8

H54 FT

f5.4mm 1/2" M12 Full Thread

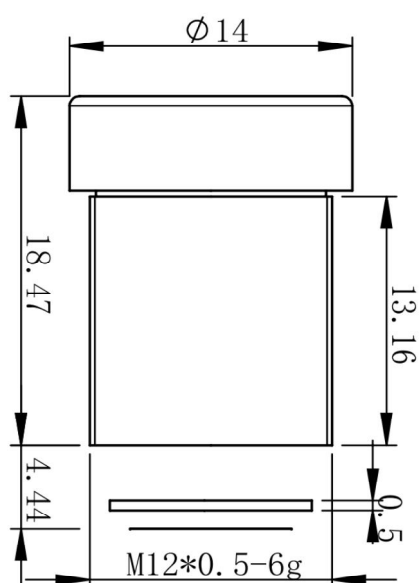
F4.5 F5.4 F7 F8 F11

Item NO.: T5445M12FT / T5454M12FT / T5470M12FT / T5480M12FT / T5411M12FT

Focal length	5.42mm		Working Distance	Magnification	1/2.7" FOV (mm)		
F number(WD=∞)	4.5/5.4/7/8/11						
Image Size	1/3" (4.8*3.6)	1/2.7" (5.2*3.9)	mm		H	V	
FOV (WD=350mm)	H	47.7°	51.4°	2000	0.0027	1926	1444
	V	36.7°	39.7°	1000	0.0054	965	724
	D	57.8°	62.1°	900	0.0060	869	652
Distortion(OPT)	-0.7%		800	0.0067	773	580	
Working Distance Range	100mm - ∞		700	0.0077	677	508	
Best Working Distance	350mm		600	0.0089	581	436	
TTL(Far-Near)	22.81-23.13mm		500	0.0107	485	364	
BFL(WD=350mm,CG0.5)	4.44mm		400	0.0134	389	292	
Resolution	3MP		300	0.0177	293	220	
Relative Illumination	80%		250	0.0212	245	184	
Mount	M12x0.5-6g		200	0.0264	197	148	
Thread type	Full thread		150	0.0349	149	112	
Temperature Range	-30~ +70°C		100	0.0514	101	76	

Dimension :

Unit: mm



(WD = 350mm)

2025.8

H05 FT

f5mm 1/2" M12 Full Thread

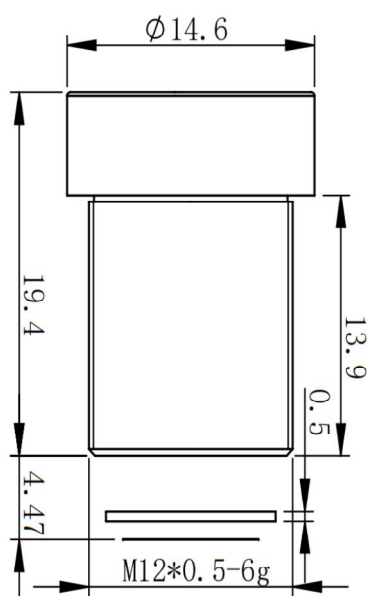
F4 **F5.6** F7 F8 F11

Item NO.: H0540M12FT / **H0556M12FT** / H0570M12FT / H0580M12FT / H0511M12FT

Focal length		5.0mm		Working Distance	Magnification	1/2" FOV (mm)	
F number(WD=∞)		4/5.6/7/8/11					
Image Size		1/2" (6.4*4.8)	1/3" (4.8*3.6)	mm		H	V
FOV (WD=200mm)	H	65.2°	51.2°	2000	0.0025	2565	1924
	V	51.2°	39.5°	1000	0.0050	1285	964
	D	77.2°	61.9°	900	0.0055	1157	868
Distortion(OPT)		-1.00%		800	0.0062	1029	772
Working Distance Range		100mm - ∞		700	0.0071	901	676
Best Working Distance		200mm		600	0.0083	774	580
TTL(Far-Near)		23.8-24.03mm		500	0.0099	646	484
BFL(WD=200,CG0.5)		4.47mm		400	0.0124	518	388
Resolution		6MP		300	0.0164	390	292
Relative Illumination		65%		250	0.0196	326	244
Mount		M12x0.5-6g		200	0.0245	262	196
Thread type		Full thread		150	0.0324	198	148
Temperature Range		-30~ +70°C		100	0.0478	134	100

Dimension :

Unit: mm



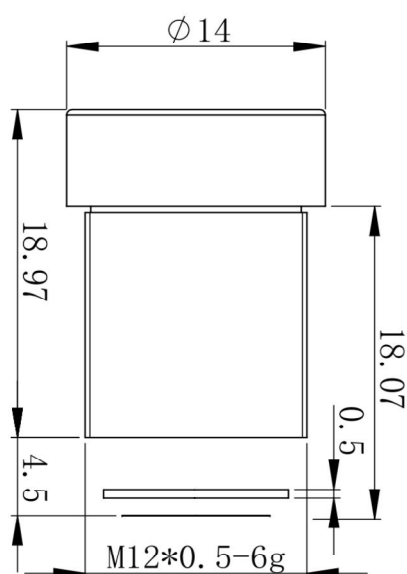
(WD = 200mm)

2025.8

T045FT		f4.5mm 1/2.7" M12 Full Thread					
F4.0 F5.6 F7 F8 F11							
Item NO.: T04540M12FT / T04556M12FT / T04570M12FT / T04580M12FT / T04511M12FT							
Focal length		4.5mm		Working Distance	Magnification	1/2.7" FOV (mm)	
F number(WD=∞)		4/5.6/7/8/11					
Image Size		1/3" (4.8*3.6)	1/2.7" (5.2*3.9)	mm		H	V
FOV (WD=200mm)	H	55.2°	60.0°	2000	0.0022	2316	1737
	V	42.9°	46.9°	1000	0.0045	1161	870
	D	66.7°	71.7°	900	0.0050	1045	784
Distortion(OPT)		1.3%		800	0.0056	929	697
Working Distance Range		100mm - ∞		700	0.0064	814	610
Best Working Distance		200mm		600	0.0074	698	524
TTL(Far-Near)		23.36-23.51mm		500	0.0089	583	437
BFL(WD=200mm,CG0.5)		4.5mm		400	0.0111	467	351
Resolution		3MP		300	0.0148	352	264
Relative Illumination		>80%		250	0.0177	294	221
Mount		M12x0.5-6g		200	0.0220	236	177
Thread type		Full thread		150	0.0291	179	134
Temperature Range		-30~ +70°C		100	0.0431	121	91

Dimension :

Unit: mm



(WD = 200mm)

2025.9