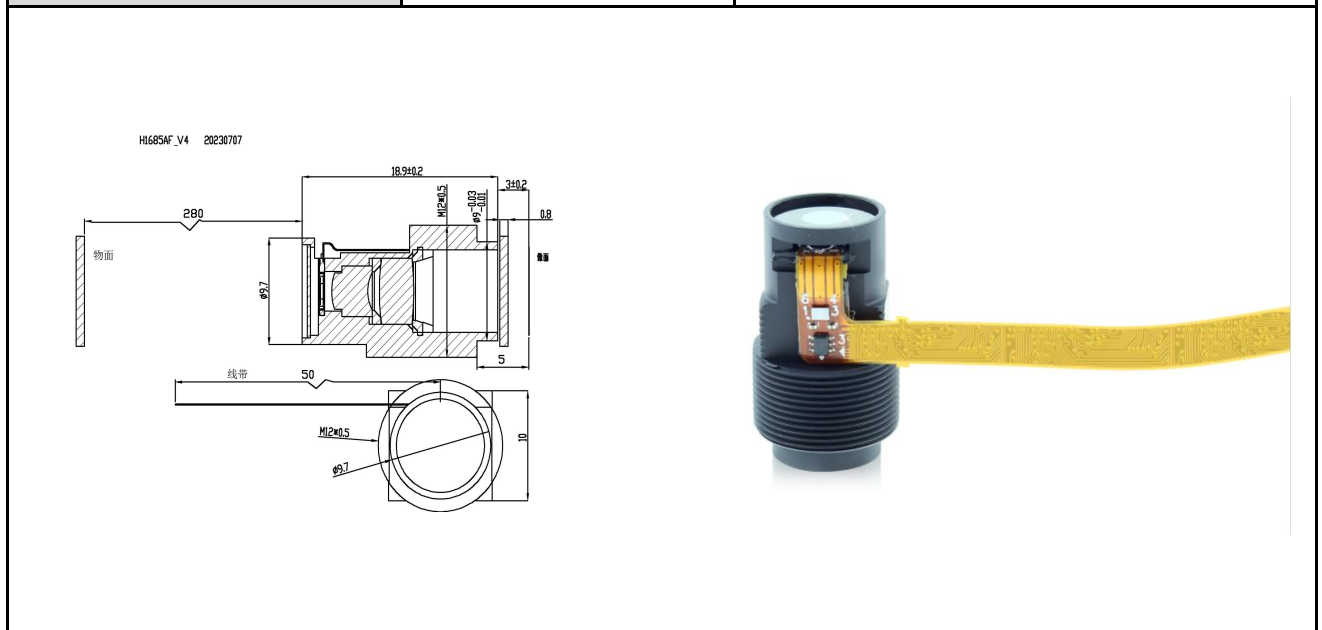
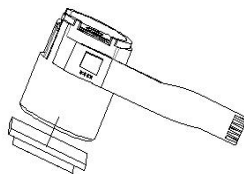
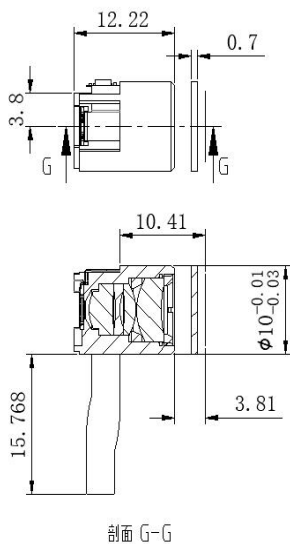


H1685AF Autofocus		
f16 F8.2 1/1.8" Tlens		
Focal length	16mm	d-line, without Tlens
Focal length	14.65-16.25 mm	d-line, including Tlens,WD100-400mm
FNO(WD=∞)	F8.2	without Tlens
WFNO(WD=100-400mm)	F8.68-8.75	including Tlens
Image Size	1/1.8"	Φ9.7mm
FOV	H	24.5°
	V	16.5°
	D	29.3°
Distortion(OPT)	0.5% max	
Working wavelength	435-680nm	
Reference wavelength	570nm	
Working Distance Range	100-400mm	
Reference Working Distance	280mm	(including Tlens)
CRA	15.7°max	
TTL	18.9 mm	
Image resolution	6MP	
Relative Illumination	85%	
Mount	M12*0.5	
Temperature Range	-20~ +70°C	
Storage Temperature	-40~ +85°C	



T1050AF Autofocus		
f9.91 F4.95 1/2.7" Tlens		
Focal length	9.91mm	570nm, without Tlens
Focal length	9.28-10.14mm	570nm, including Tlens,WD80mm -Inf
FNO(WD=∞)	F4.95	without Tlens
WFNO(WD=80mm -Inf)	F5.09-5.13	including Tlens
Image Size	1/2.7"	Φ6.5mm
FOV	H	27.2°
	V	20.6°
	D	33.7°
Distortion(OPT)	-1.6% max	
Working wavelength	435-680nm	
Reference wavelength	570nm	
Working Distance Range	80 mm - Inf	
Reference Working Distance	286mm	At this working distance, the optical power of the Tlens is zero
CRA	14.5° max	
TTL	12.22 mm	
Image resolution	3MP	
Relative Illumination	85%	
Mount	Φ10	
Temperature Range	-20~ +70°C	
Storage Temperature	-40~ +85°C	



说明: 未注尺寸公差 ±0.15mm