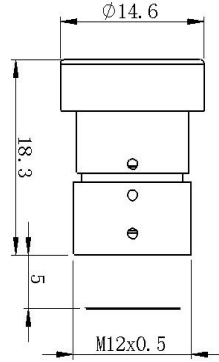




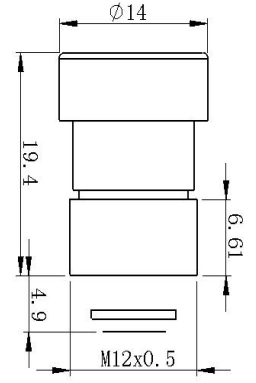
Hangzhou Zhongwei Optics Co., Ltd.

M12 LENS

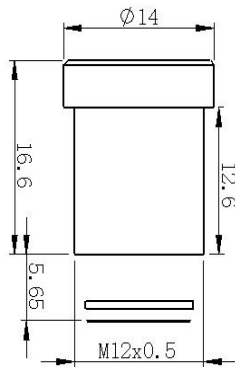
Item NO.	H0656M12
EFL	6.1mm
Format	1/2"
FNO	5.6
Resolution	6MP
MOD	100mm
Distortion	1.00%
Mount	M12*0.5



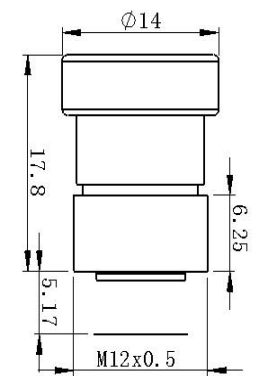
Item NO.	H0856M12
EFL	8.17mm
Format	1/1.8"
FNO	5.6
Resolution	10MP
MOD	100mm
Distortion	1.50%
Mount	M12*0.5



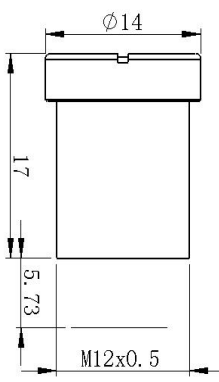
Item NO.	H1056M12
EFL	10.0mm
Format	1/1.8"
FNO	5.6
Resolution	10MP
MOD	100mm
Distortion	0.10%
Mount	M12*0.5



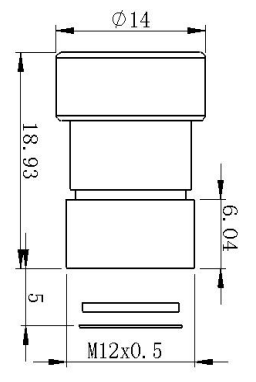
Item NO.	H1256M12
EFL	12.0mm
Format	1/1.8"
FNO	5.6
Resolution	10MP
MOD	100mm
Distortion	0.10%
Mount	M12*0.5



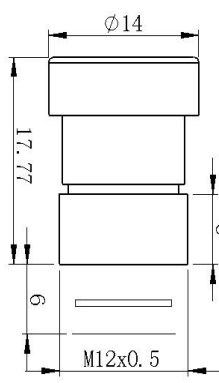
Item NO.	H1456M12
EFL	14.0mm
Format	1/1.8"
FNO	5.6
Resolution	10MP
MOD	100mm
Distortion	0.10%
Mount	M12*0.5



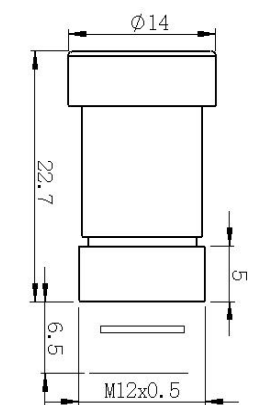
Item NO.	H1656M12
EFL	16.0mm
Format	1/1.8"
FNO	5.6
Resolution	10MP
MOD	100mm
Distortion	0.15%
Mount	M12*0.5



Item NO.	M2056M12
EFL	20.0mm
Format	2/3"
FNO	5.6
Resolution	10MP
MOD	100mm
Distortion	0.10%
Mount	M12*0.5



Item NO.	M2556M12
EFL	25.0mm
Format	2/3"
FNO	5.6
Resolution	10MP
MOD	100mm
Distortion	0.20%
Mount	M12*0.5

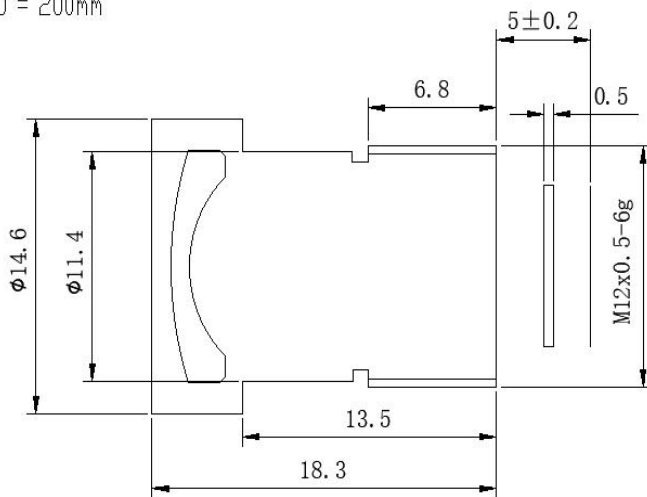


H0656M12

f6 F5.6 1/2" 6MP

Focal length		6.1		Working Distance	Magnification	1/2" FOV	
F number (WD=∞)		5.6					
Image Size		1/2" (6.4*4.8)	1/3" (4.8*3.6)	mm		H	V
	H	54.3°	41.9°	2000	0.003	2102	1577
FOV (WD=200)	V	41.9°	32.0°	1000	0.006	1054	790
	D	65.3°	51.3°	900	0.007	949	712
Distortion (OPT)		-1.00%		800	0.008	844	633
Working Distance Range		100mm - ∞		700	0.009	739	554
Best Working Distance		200mm		600	0.010	634	476
TTL		23.3mm		500	0.012	529	397
BFL (WD=200)		5.0mm		400	0.015	425	318
Resolution		6MP		300	0.020	320	240
Relative Illumination		65%		250	0.024	267	200
Mount		M12x0.5		200	0.030	215	161
Temperature Range		-30~ +70°C		150	0.039	162	122
Storage Temperature		-40~ +85°C		100	0.058	110	82

WD = 200mm

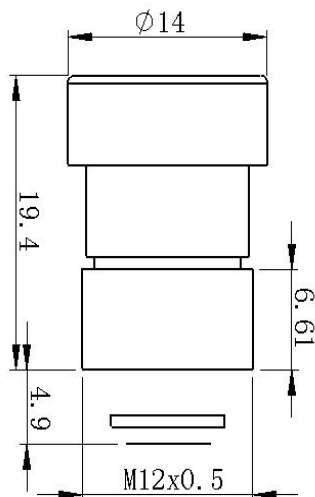


H0856M12

f8 F5.6 1/1.8" 6MP

Focal length	8.17		Working Distance	Magnification	1/1.8" FOV		
F number (WD= ∞)	5.63						
Image Size	1/1.8" (7.2*5.4)	1/3" (4.8*3.6)	mm		H	V	
	H	47.2°	32.3°	2000	0.004	1765	1324
FOV	V	36.2°	24.5°	1000	0.008	884	663
	D	57.5°	39.9°	900	0.009	796	597
Distortion(OPT)	-1.54%		800	0.010	707	531	
Working Distance Range	100mm - ∞		700	0.012	619	464	
Best Working Distance	200mm		600	0.014	531	398	
TTL(Far-Near)	23.84-24.52mm		500	0.016	443	332	
BFL(WD= ∞ , in air)	4.84mm		400	0.020	355	266	
Resolution	6MP		300	0.027	267	200	
Relative Illumination	76%		250	0.032	223	167	
Mount	M12x0.5		200	0.040	179	134	
Temperature Range	-30~ +70°C		150	0.054	134	101	
Storage Temperature	-40~ +85°C		100	0.080	90	68	

WD = 200mm

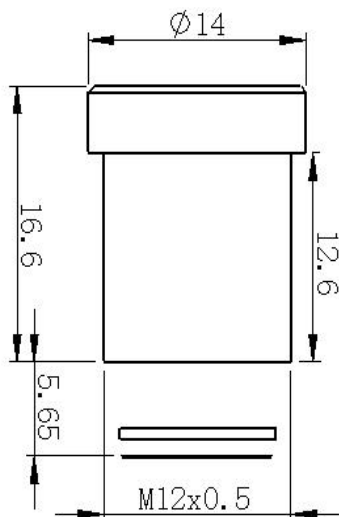


H1056M12

f10 F5.6 1/1.8" 6MP

Focal length	10.00		Working Distance	Magnification	1/1.8" FOV		
F number (WD=∞)	5.60						
Image Size	1/1.8" (7.2*5.4)	1/3" (4.8*3.6)	mm		H	V	
	H	39.7°	27.1°	2000	0.0050	1440	1080
FOV	V	30.4°	20.5°	1000	0.0100	720	540
	D	48.6°	33.5°	900	0.0111	648	486
Distortion (WD 250mm)	0.00%		800	0.0125	576	432	
Working Distance Range	100mm - ∞		700	0.0143	504	378	
Best Working Distance	250mm		600	0.0167	432	324	
TTL (Far-Near)	21.17-22.20mm		500	0.0200	360	270	
BFL (WD=∞, in air)	5.02mm		400	0.0250	288	216	
Resolution	6MP		300	0.0333	216	162	
Relative Illumination	72%		250	0.0400	180	135	
Mount	M12x0.5-6g		200	0.0500	144	108	
Temperature Range	-30~ +70°C		150	0.0667	108	81	
Storage Temperature	-40~ +85°C		100	0.1000	72	54	

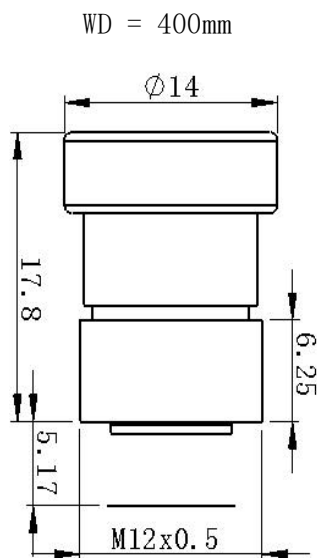
WD = 200mm



H1256M12

f12 F5.6 1/1.8" 6MP

Focal length	12.02		Working Distance	Magnification	1/1.8" FOV		
F number (WD=∞)	5.46						
Image Size	1/1.8" (7.2*5.4)	1/3" (4.8*3.6)	mm		H	V	
	H	32.4°	21.9°	2000	0.006	1198	899
FOV	V	24.6°	16.5°	1000	0.012	599	449
	D	39.9°	27.2°	900	0.013	539	404
Distortion(OPT)	-0.20%		800	0.015	479	360	
Working Distance Range	100mm - ∞		700	0.017	419	315	
Best Working Distance	300mm		600	0.020	360	270	
TTL(Far-Near)	24.49-25.94mm		500	0.024	300	225	
BFL(WD=∞, in air)	5.49mm		400	0.030	240	180	
Resolution	6MP		300	0.040	180	135	
Relative Illumination	81%		250	0.048	150	112	
Mount	M12x0.5		200	0.060	120	90	
Temperature Range	-30~ +70°C		150	0.080	90	67	
Storage Temperature	-40~ +85°C		100	0.120	60	45	

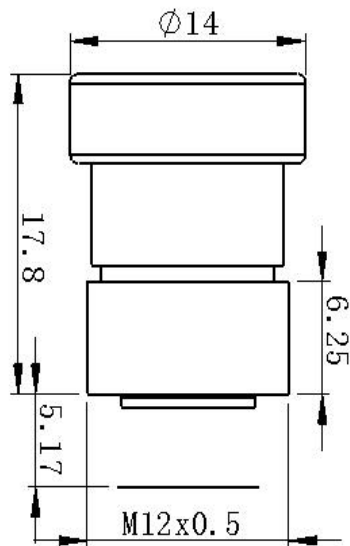


H1456M12

f14 F5.6 1/1.8" 6MP

Focal length	14		Working Distance	Magnification	1/1.8" FOV		
F number (WD=∞)	5.6						
Image Size	1/1.8" (7.2*5.4)	1/3" (4.8*3.6)	mm		H	V	
	H	28.9°	19.5°	2000	0.007	1025	769
FOV	V	21.9°	14.7°	1000	0.014	511	383
	D	35.7°	24.2°	900	0.016	459	344
Distortion(OPT)	-0.03%		800	0.018	408	306	
Working Distance Range	100mm - ∞		700	0.020	356	267	
Best Working Distance	300mm		600	0.024	305	229	
TTL(Far-Near)	22.26-24.38mm		500	0.028	254	190	
BFL(WD=∞, in air)	5.73mm		400	0.036	202	152	
Resolution	6MP		300	0.048	151	113	
Relative Illumination	83%		250	0.058	125	94	
Mount	M12x0.5		200	0.073	99	74	
Temperature Range	-30~ +70°C		150	0.098	74	55	
Storage Temperature	-40~ +85°C		100	0.150	48	36	

WD = 400mm

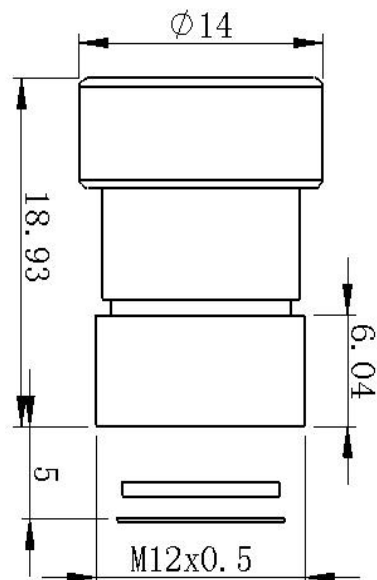


H1656M12

f16 F5.6 1/1.8" 10MP

Focal length	16.01		Working Distance	Magnification	1/1.8" FOV		
F number (WD=∞)	5.63						
Image Size	1/1.8" (7.2*5.4)	1/3" (4.8*3.6)	mm		H	V	
	H	24.5°	16.4°	2000	0.008	895	672
FOV	V	18.5°	12.4°	1000	0.016	446	334
	D	30.3°	20.5°	900	0.018	401	301
Distortion(OPT)	-0.17%		800	0.020	356	267	
Working Distance Range	100mm - ∞		700	0.023	311	233	
Best Working Distance	400mm		600	0.027	266	199	
TTL	23.93mm		500	0.033	221	166	
BFL	5.0mm		400	0.041	176	132	
Resolution	10MP		300	0.055	131	98	
Relative Illumination	90%		250	0.066	108	81	
Mount	M12x0.5		200	0.084	86	65	
Temperature Range	-30~ +70°C		150	0.113	64	48	
Storage Temperature	-40~ +85°C		100	0.175	41	31	

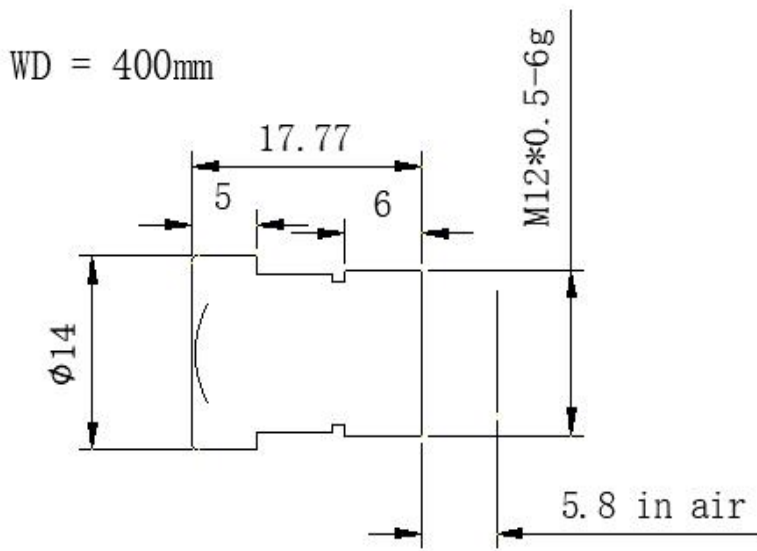
WD = 400mm



M2056M12

f20 F5.6 2/3" 6MP

Focal length	20.03		Working Distance	Magnification	2/3" FOV		
F number (WD=∞)	5.61						
Image Size	1/1.8" (7.2*5.4)	2/3" (8.45*7.07)	mm		H	V	
	H	19.3°	22.6°	2000	0.010	837	700
FOV	V	14.5°	18.9°	1000	0.020	414	347
	D	24.0°	29.2°	900	0.023	372	311
Distortion(OPT)	0.10%		800	0.026	330	276	
Working Distance Range	100mm - ∞		700	0.029	287	240	
Best Working Distance	400mm		600	0.034	246	206	
TTL(Far-Near)	22.55-27.37mm		500	0.042	204	170	
BFL(WD=400, in air)	5.8mm		400	0.052	161	135	
Resolution	6MP		300	0.071	119	100	
Relative Illumination	90%		250	0.086	98	82	
Mount	M12x0.5		200	0.110	77	64	
Temperature Range	-30~ +70°C		150	0.151	56	47	
Storage Temperature	-40~ +85°C		100	0.243	35	29	



M2556M12**f25 F5.6 2/3" 6MP**

Focal length		25.06		Working Distance	Magnification	2/3" FOV	
F number (WD=∞)		5.59					
Image Size		1/1.8" (7.2*5.4)	2/3" (8.45*7.07)	mm		H	V
	H	16.3°	19.1°	2000	0.013	667	558
FOV	V	12.3°	16.1°	1000	0.026	329	276
	D	20.4°	24.8°	900	0.029	296	247
Distortion(OPT)		0.20%		800	0.032	262	219
Working Distance Range		100mm - ∞		700	0.037	228	191
Best Working Distance		400mm		600	0.043	194	163
TTL(Far-Near)		27.56-35.63mm		500	0.053	161	135
BFL(WD=400, in air)		6.5mm		400	0.067	127	106
Resolution		6MP		300	0.091	93	78
Relative Illumination		91%		250	0.110	76	64
Mount		M12x0.5		200	0.142	60	50
Temperature Range		-30~ +70°C		150	0.198	43	36
Storage Temperature		-40~ +85°C		100	0.326	26	22

WD = 400mm

